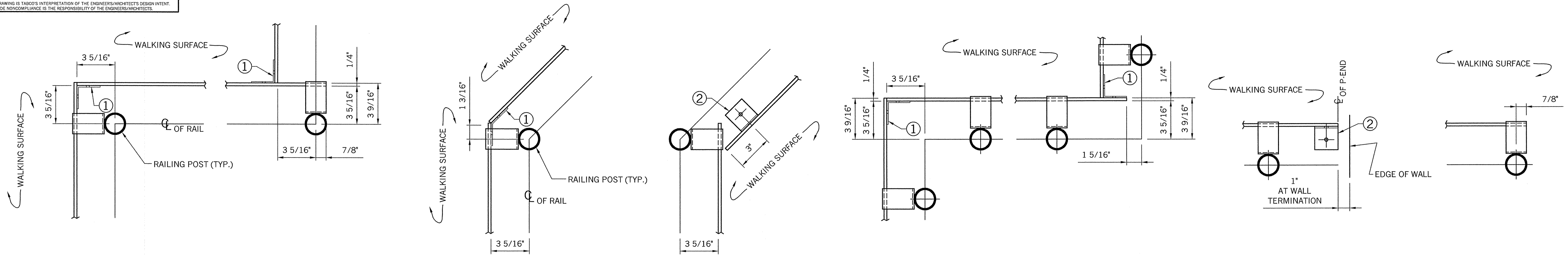
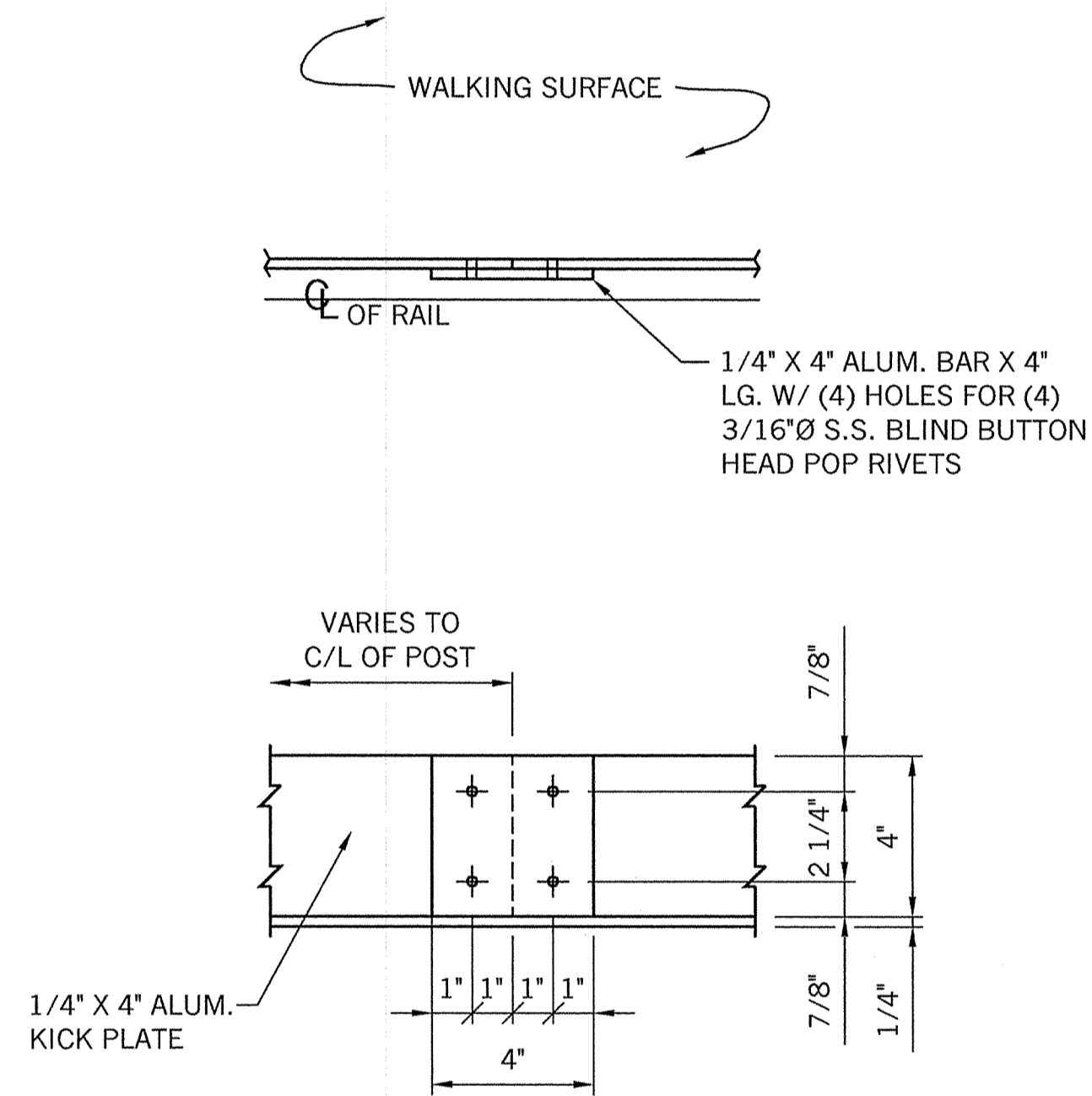


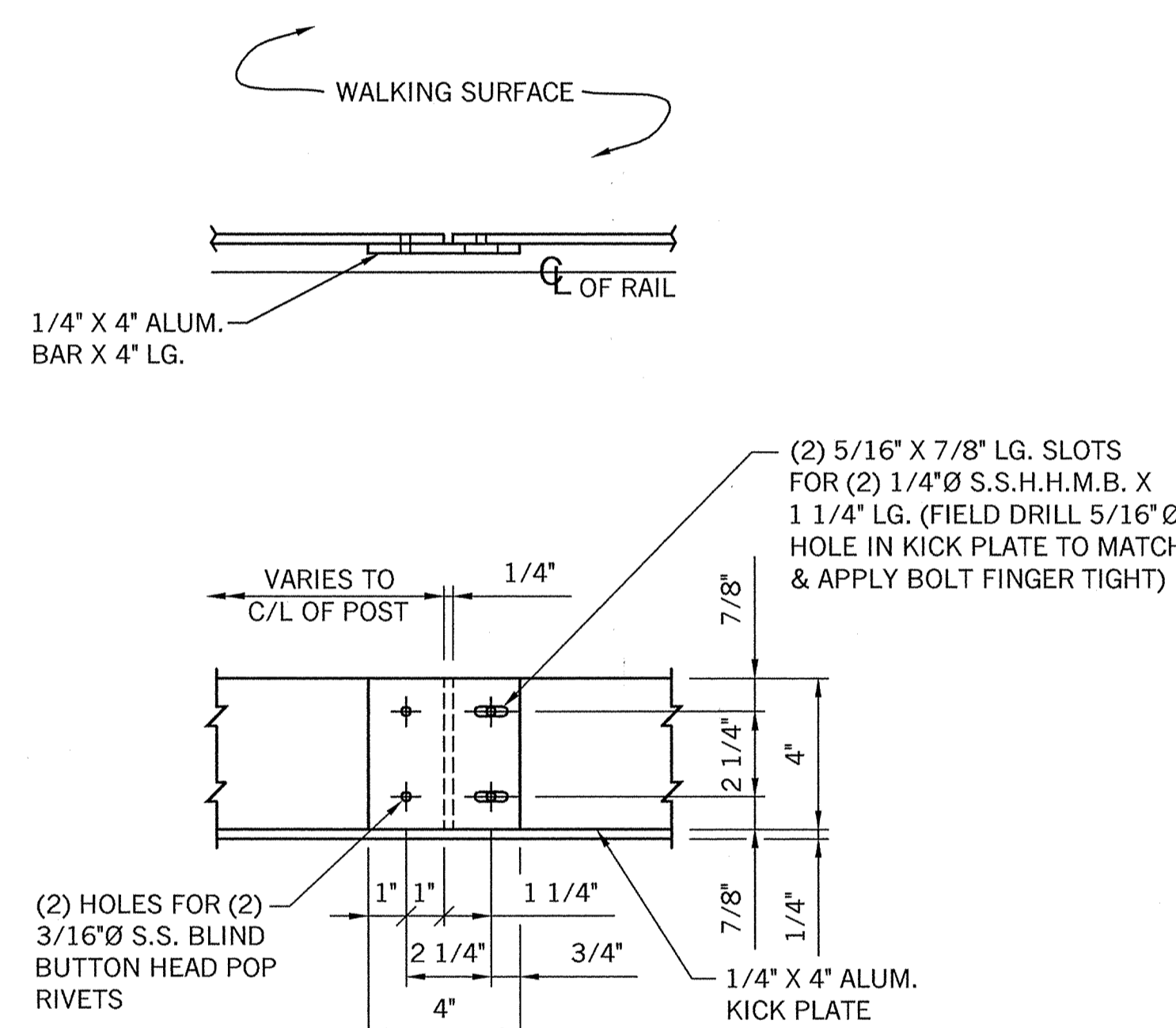
THESE DRAWINGS ARE THE PROPERTY OF TUTTLE ALUMINUM & BRONZE, INC. FISHERS INDIANA AND SHALL NOT BE REPRODUCED OR COPIED OR USED AS THE BASIS FOR THE MANUFACTURE OR SALE OF ITEMS SHOWN WITHOUT PERMISSION.
THIS DRAWING IS TABCO'S INTERPRETATION OF THE ENGINEER/ARCHITECT'S DESIGN INTENT. ANY CODE NONCOMPLIANCE IS THE RESPONSIBILITY OF THE ENGINEER/ARCHITECTS.



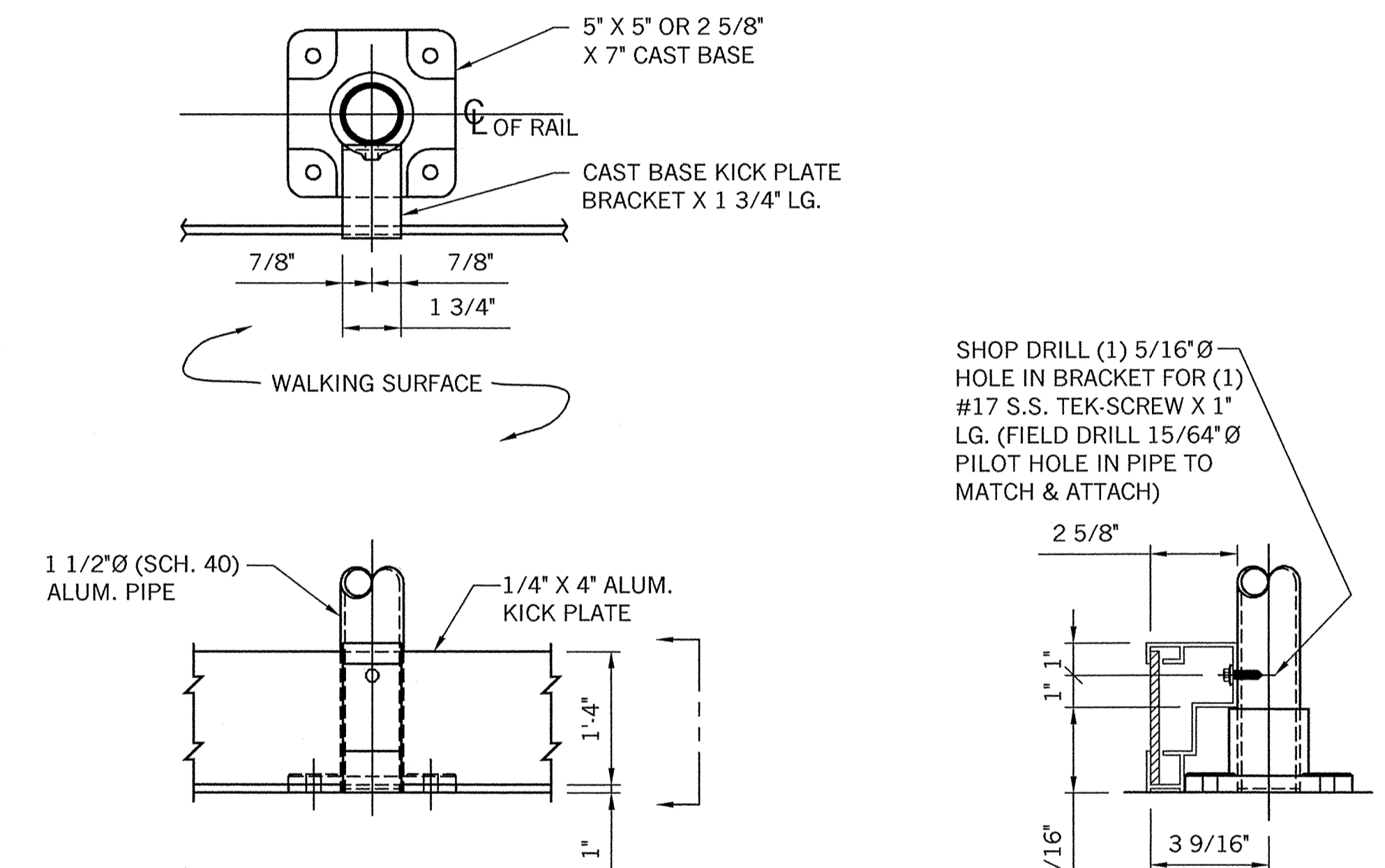
TYPICAL KICK PLATE CONDITIONS



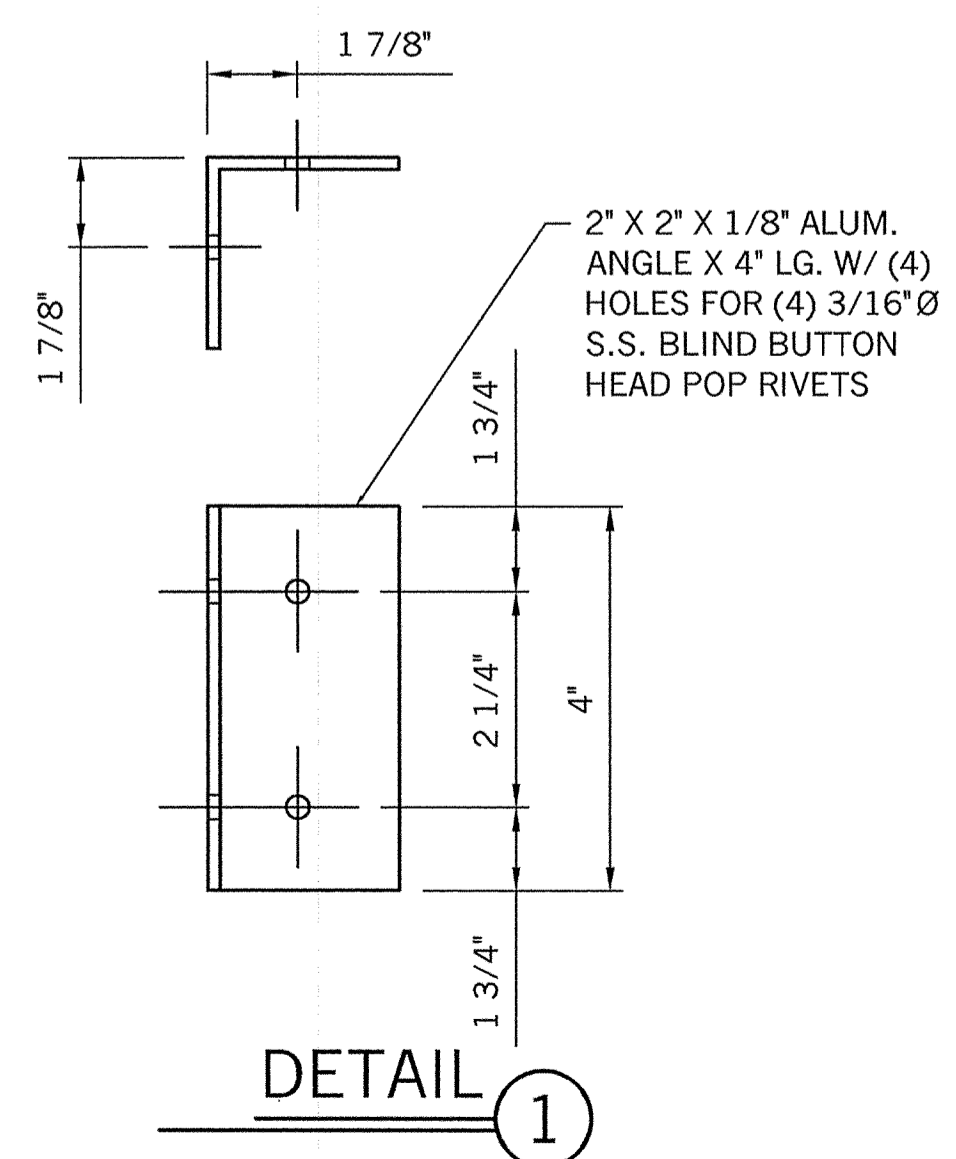
KICK PLATE FIELD JOINT



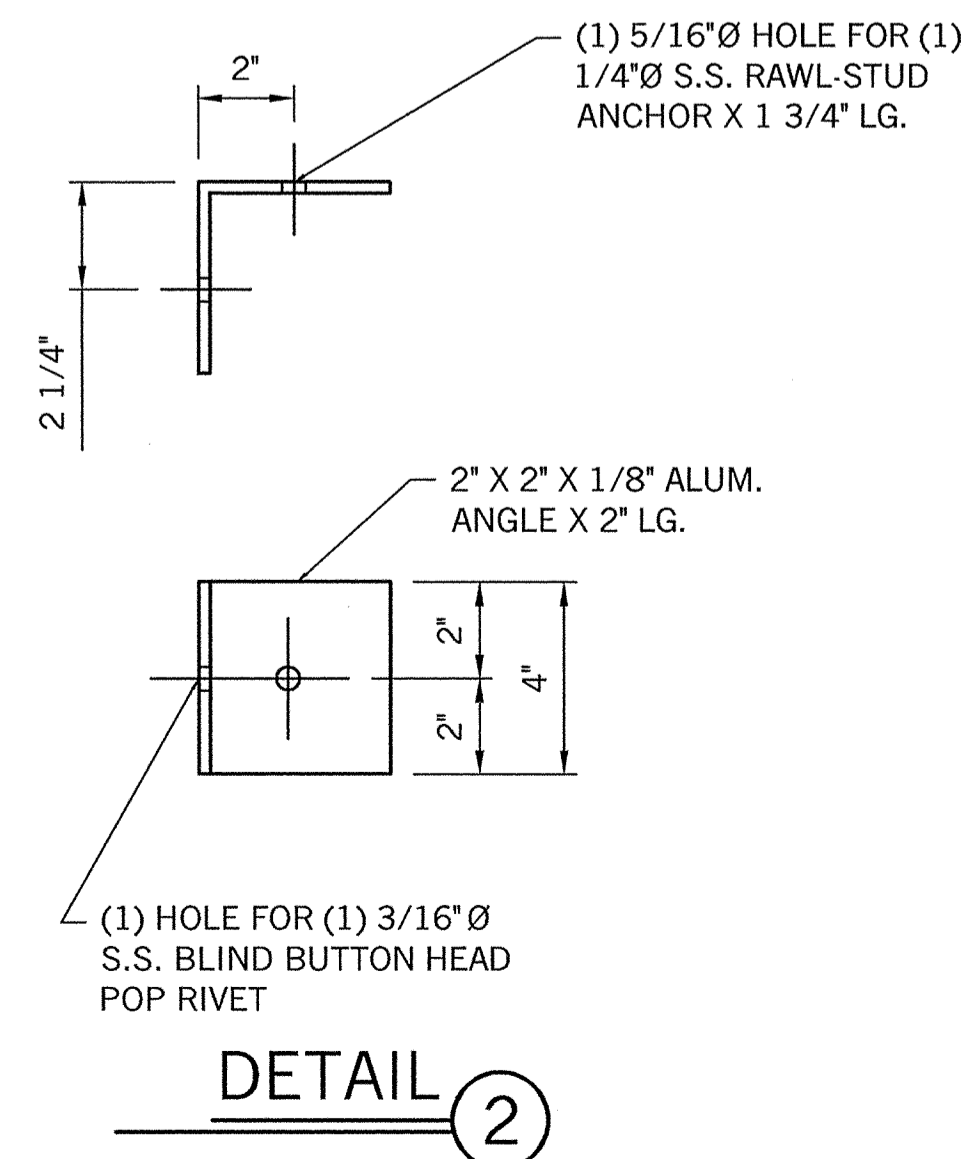
KICK PLATE EXPANSION JOINT



ELEVATION OF KICK PLATE AT POST



DETAIL 1



DETAIL 2

TYPICAL NOTES:

- 1.) ALL KICK PLATE SHALL BE:
 - a) 1/4" X 4" ALUMINUM BAR.
 - b) SHIPPED LOOSE IN 24'-0" STOCK LENGTHS FOR FIELD CUTTING AND DRILLING AS REQ'D.
 - c) APPLIED TO BRACKETS SIMPLY BY SLIDING THROUGH (NO MECHANICAL ATTACHMENT IS REQ'D. EXCEPT WHERE SHOWN)
- 2.) ALL RIVETS ARE TO BE TYPE 304 S.S.
- 3.) ALWAYS INSTALL RIVETS W/ BUTTON HEAD TOWARDS WALKING SURFACE.
- 4.) ALL KICK PLATE CLIP ANGLES ARE FURNISHED W/ .191" Ø HOLES (U.N.O.) FIELD DRILL TO MATCH USING NO. 11 DRILL BIT.

ARCH./ENG. NOTE!
THIS METHOD OF KICK PLATE CONNECTION WILL ALLOW FOR EXPANSION & CONTRACTION WHICH WILL DECREASE UNSIGHTLY WARPAGE PLEASE REVIEW & ADVISE.

DATE		TUTTLE ALUMINUM & BRONZE, INC.		120 SHADOW LAWN DRIVE		FISHERS, INDIANA 46038		PHONE (317) 842-2420		FAX (317) 845-1328	
BY		DESIGNER									
BY		CUSTOMER									
BY		CONTRACTOR									
DETAILS		KICK PLATE									
FINISH		M32C22A41									
DR.	DATE	4-02	SCALE	AS NOTED	NO.	PRINTS FOR	DATE	JOB NO.			
ERECTOR	BY	OTHERS	1P	FYI	4-26-02						
FIELD CHECKED BY	OTHERS										
SHOP ORDER NO.											
NO.	L/F	DRAWING NO.									
		KPI									