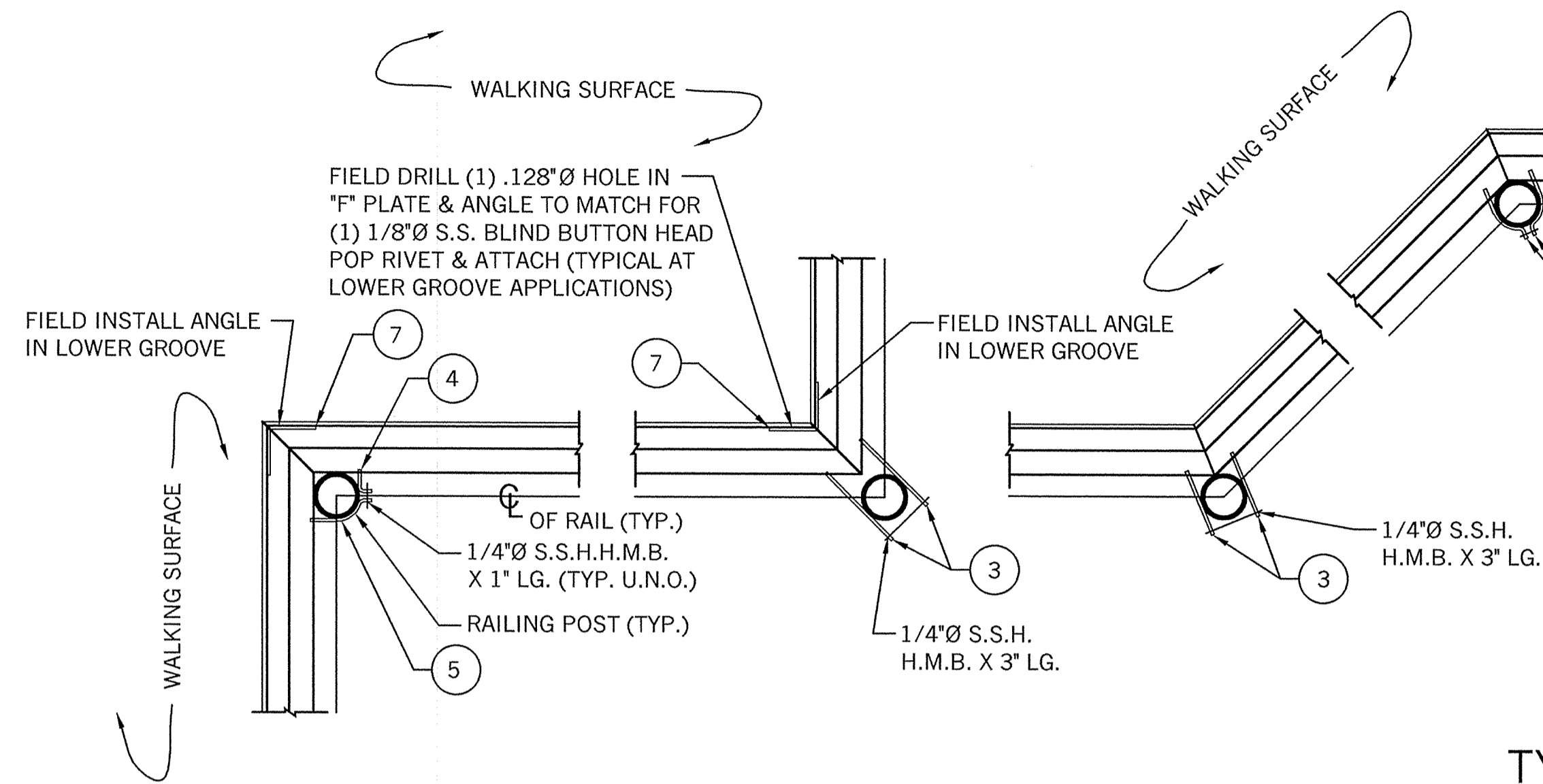
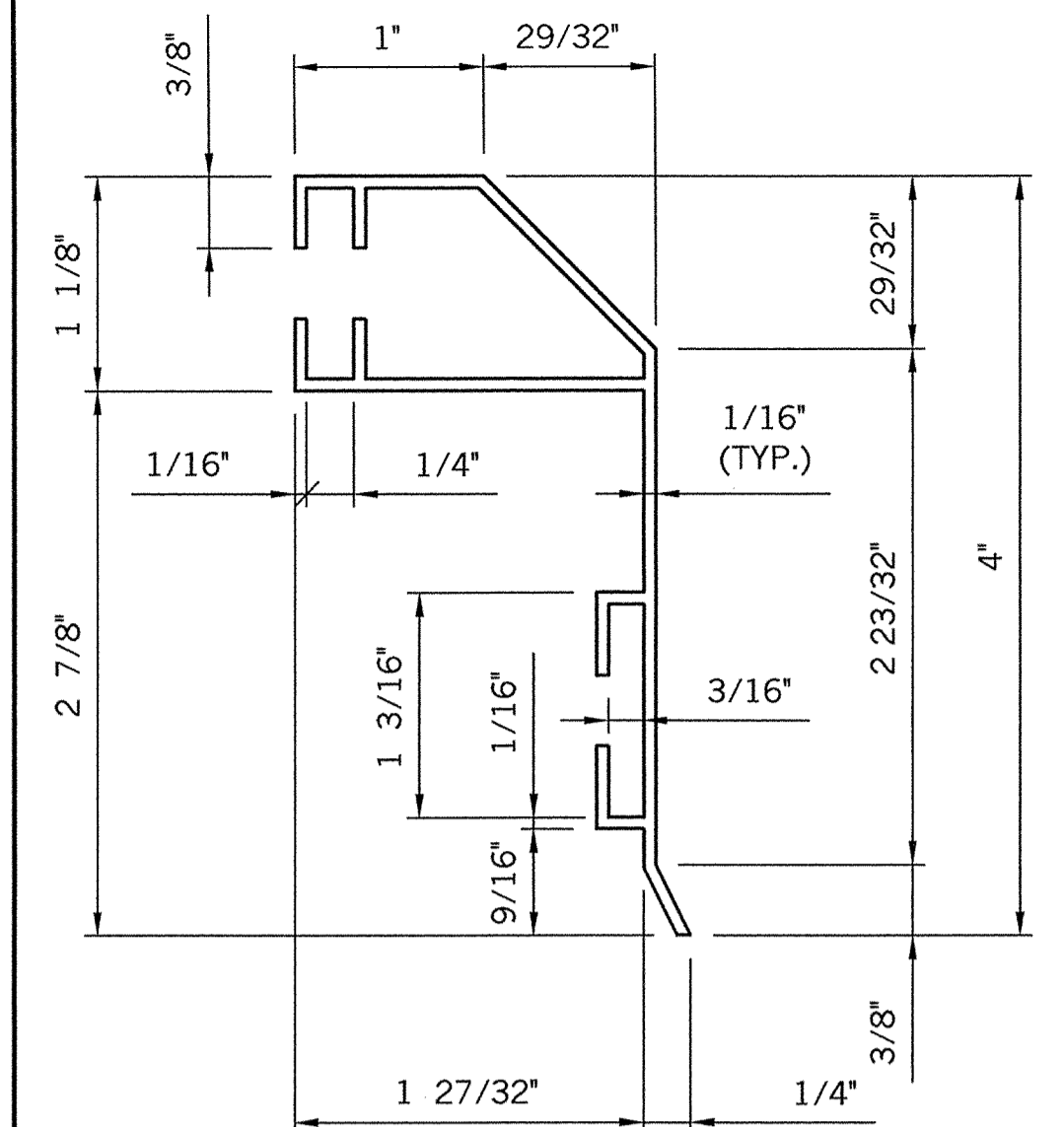


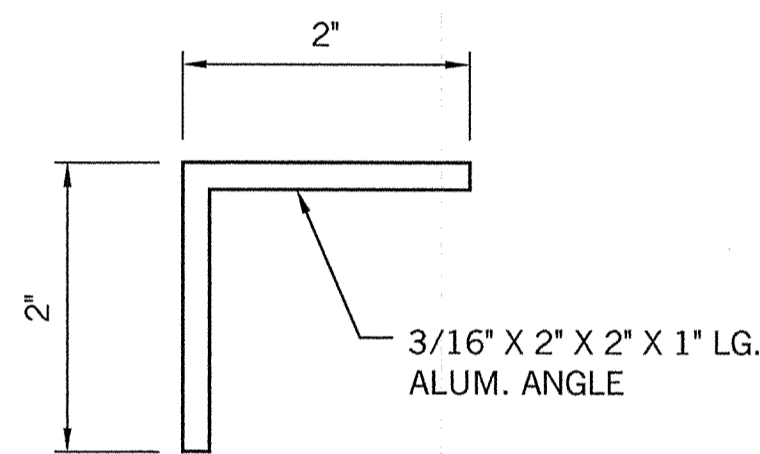
THESE DRAWINGS ARE THE PROPERTY OF TUTTLE ALUMINUM & BRONZE, INC. FISHERS INDIANA AND SHALL NOT BE REPRODUCED OR COPIED OR USED AS THE BASIS FOR THE MANUFACTURE OR SALE OF ITEMS SHOWN WITHOUT PERMISSION.
THIS DRAWING IS TADCO'S INTERPRETATION OF THE ENGINEER/ARCHITECT'S DESIGN INTENT. ANY CODE NONCOMPLIANCE IS THE RESPONSIBILITY OF THE ENGINEER/ARCHITECT.



TYPICAL "F" PLATE CONDITIONS

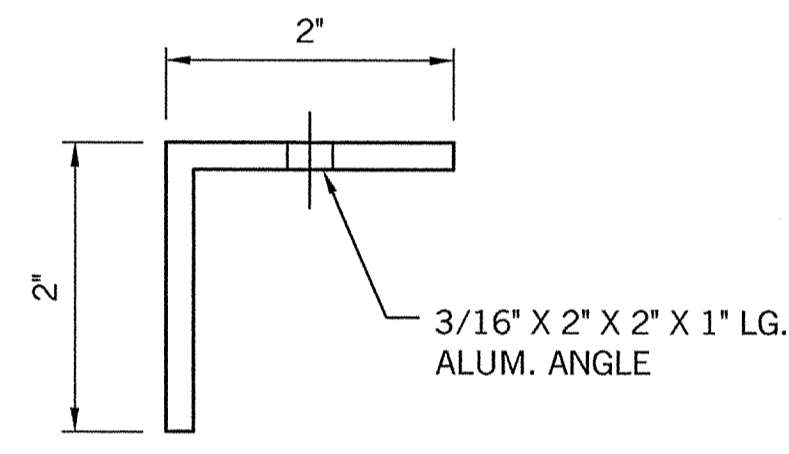


"F" PLATE SECTION



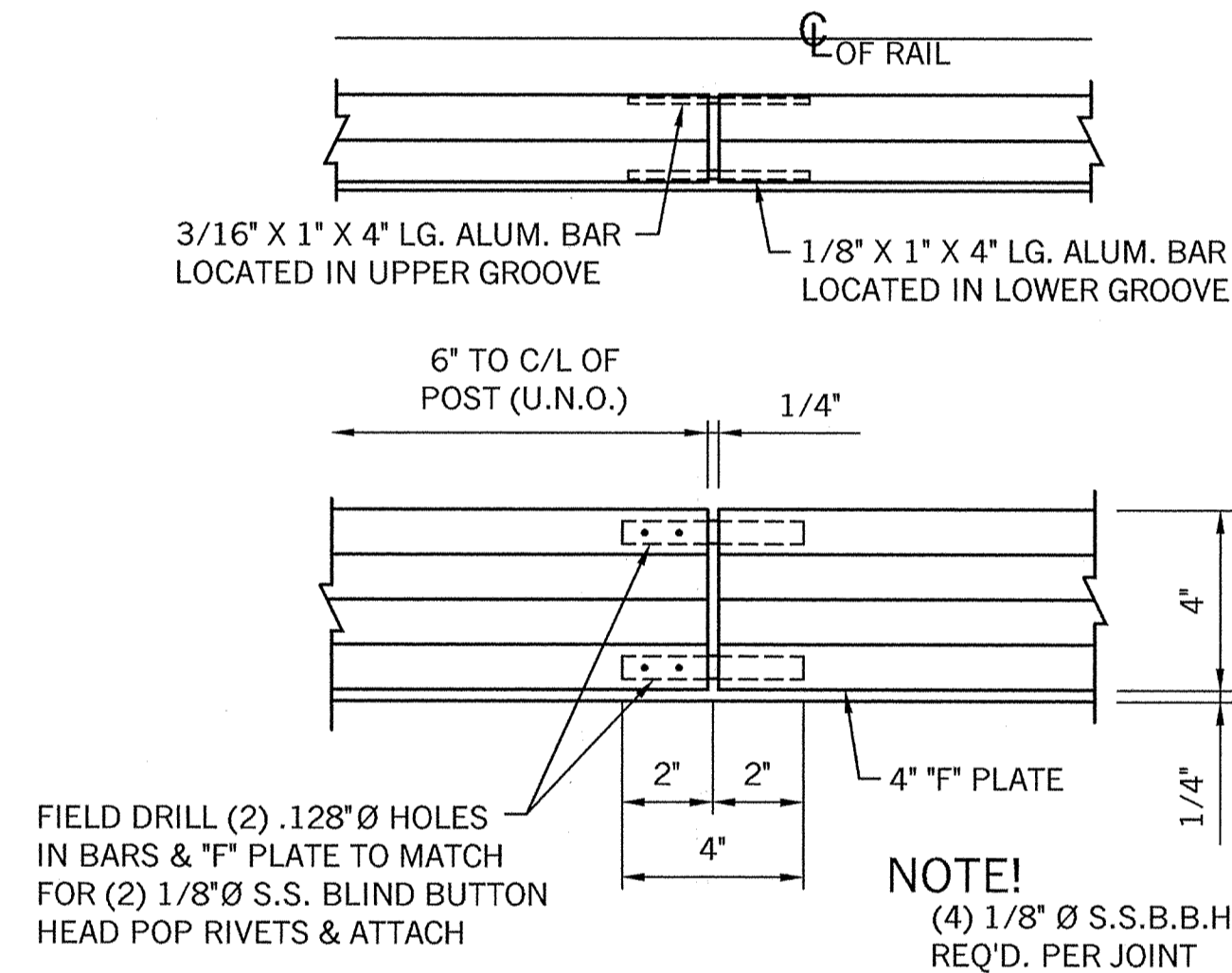
NOTE!
NO RIVETS REQ'D.

DETAIL 1
(INSIDE & OUTSIDE 90°
CORNER W/ NO POSTS)

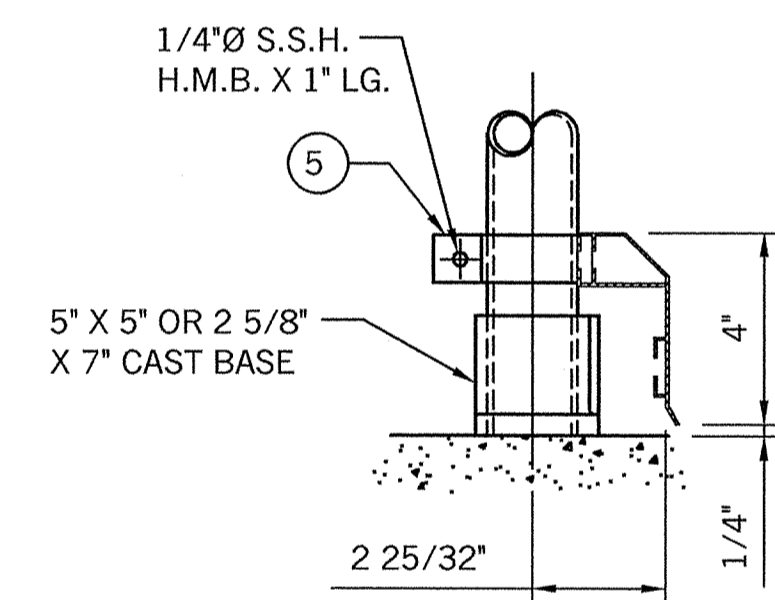


NOTE!
NO RIVETS REQ'D.

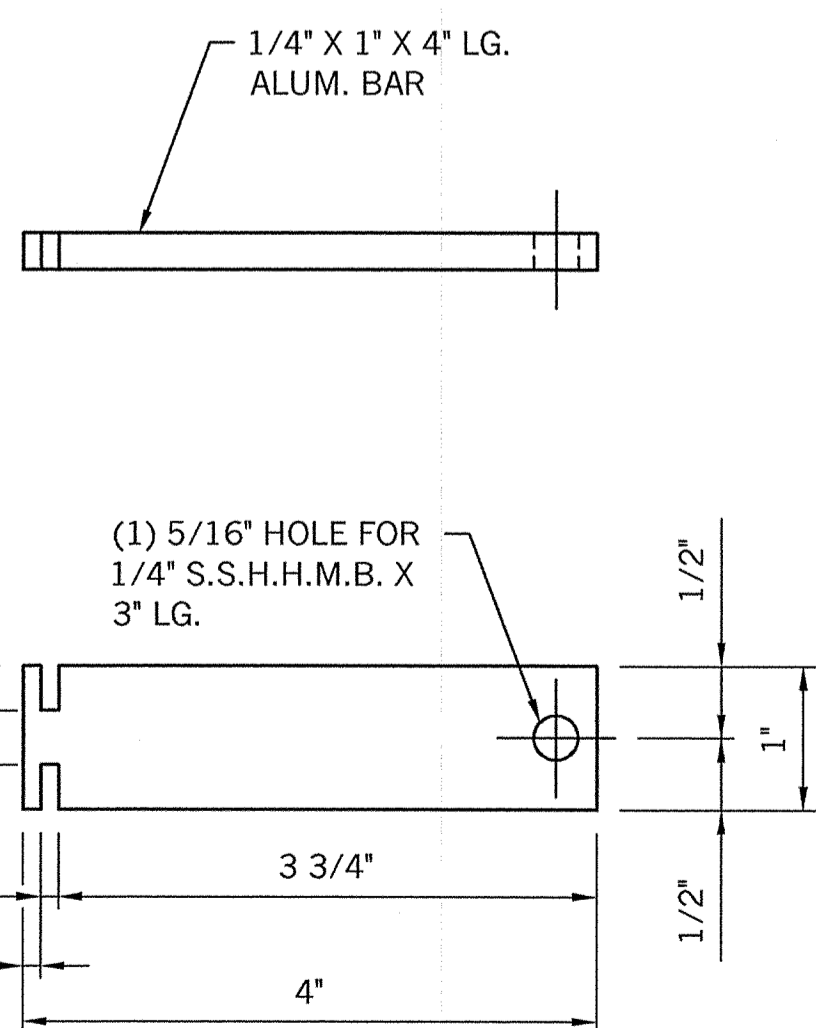
DETAIL 2
(END WALL TERMINATION)



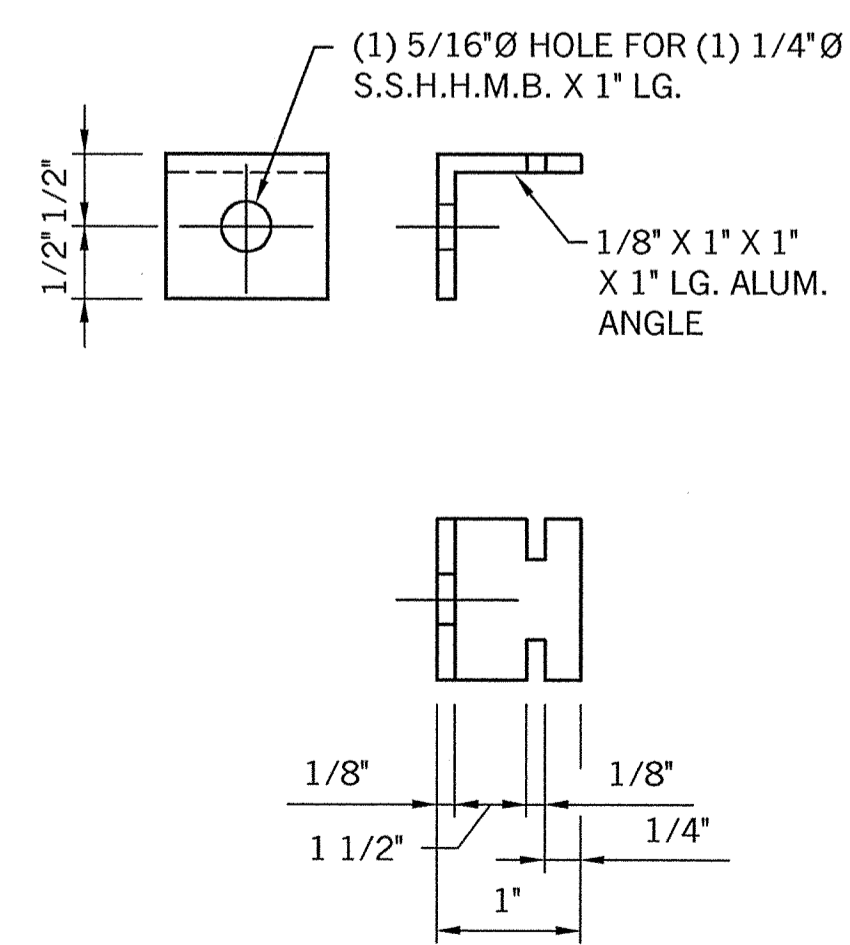
"F" PLATE EXPANSION JOINT



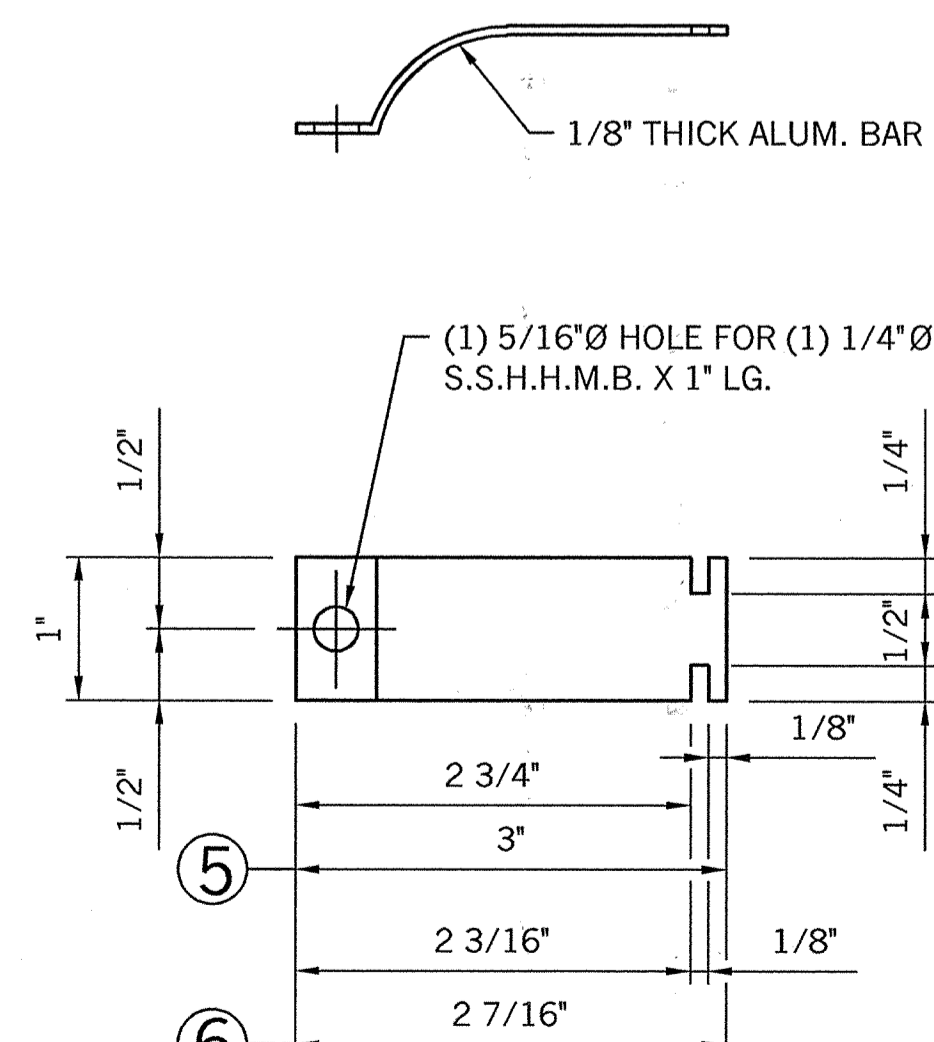
ELEVATION OF "F" PLATE AT POST



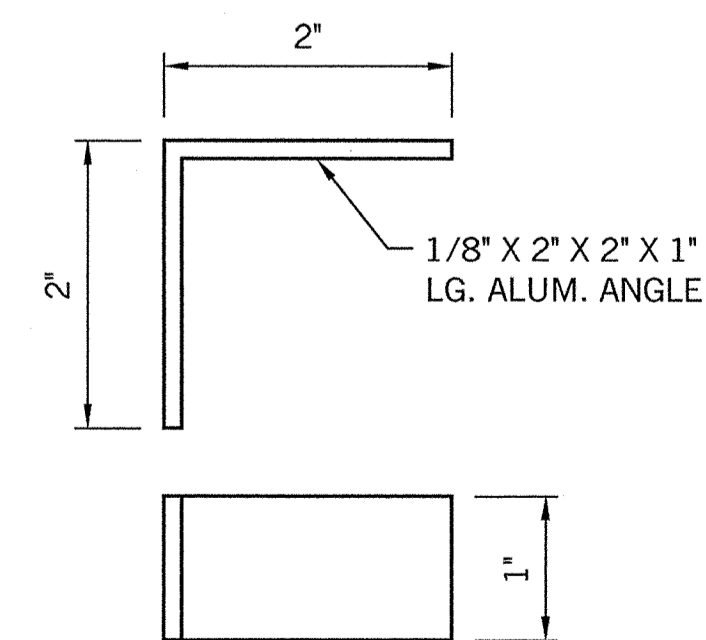
DETAIL 3



DETAIL 4



DETAIL 5 & 6



NOTE!
(2) 1/8\"/>

DETAIL 7
(INSIDE & OUTSIDE
90° CORNERS)

TYPICAL NOTES:

- 1.) ALL KICK PLATE SHALL BE:
 - a) 4" EXTRUDED ALUMINUM "F" PLATE.
 - b) SHIPPED LOOSE IN 24'-0" STOCK LENGTHS FOR FIELD CUTTING AND DRILLING AS REQ'D.
 - c) FIELD ATTACHED TO POSTS.
- 2.) ALL RIVETS ARE TO BE TYPE 304 S.S.
- 3.) ALWAYS INSTALL RIVETS W/ BUTTON HEAD TOWARDS WALKING SURFACE.

DATE		TUTTLE ALUMINUM & BRONZE, INC.		120 SHADOW LAWN DRIVE		FISHERS, INDIANA 46038		PHONE (317) 842-2420		FAX (317) 845-1328	
BY		DESIGNER		CUSTOMER		CONTRACTOR		NO.		JOB NO.	
DETAILS "F" PLATE		FINISH M32C22A41		ERECTOR BY OTHERS		FIELD CHECKED BY OTHERS		NO. 1P		DATE 4-26-02	
REVISION		SCALE AS NOTED		PRINTS FOR FYI		DRAWING NO. FPI		NO.		L/F	