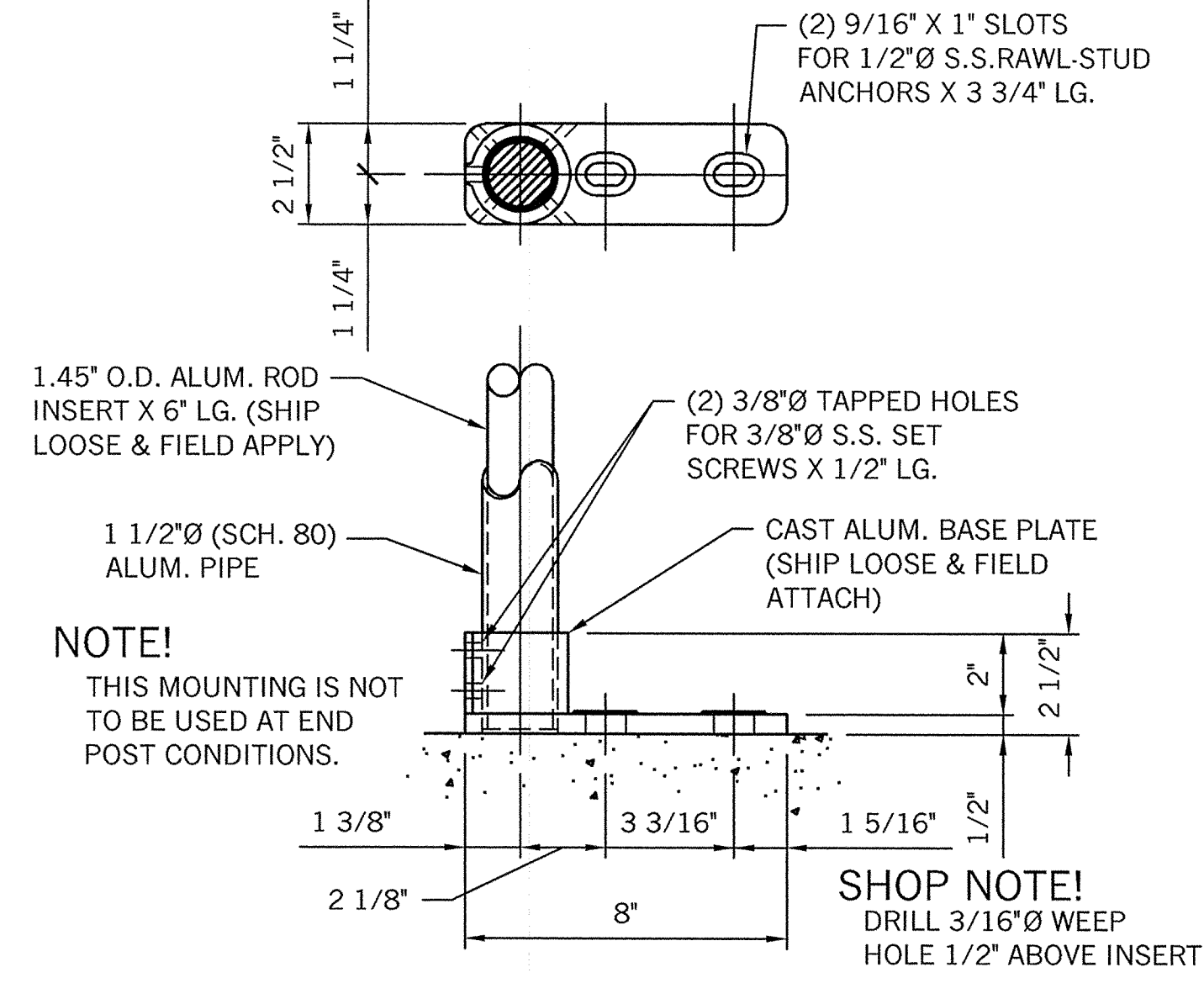
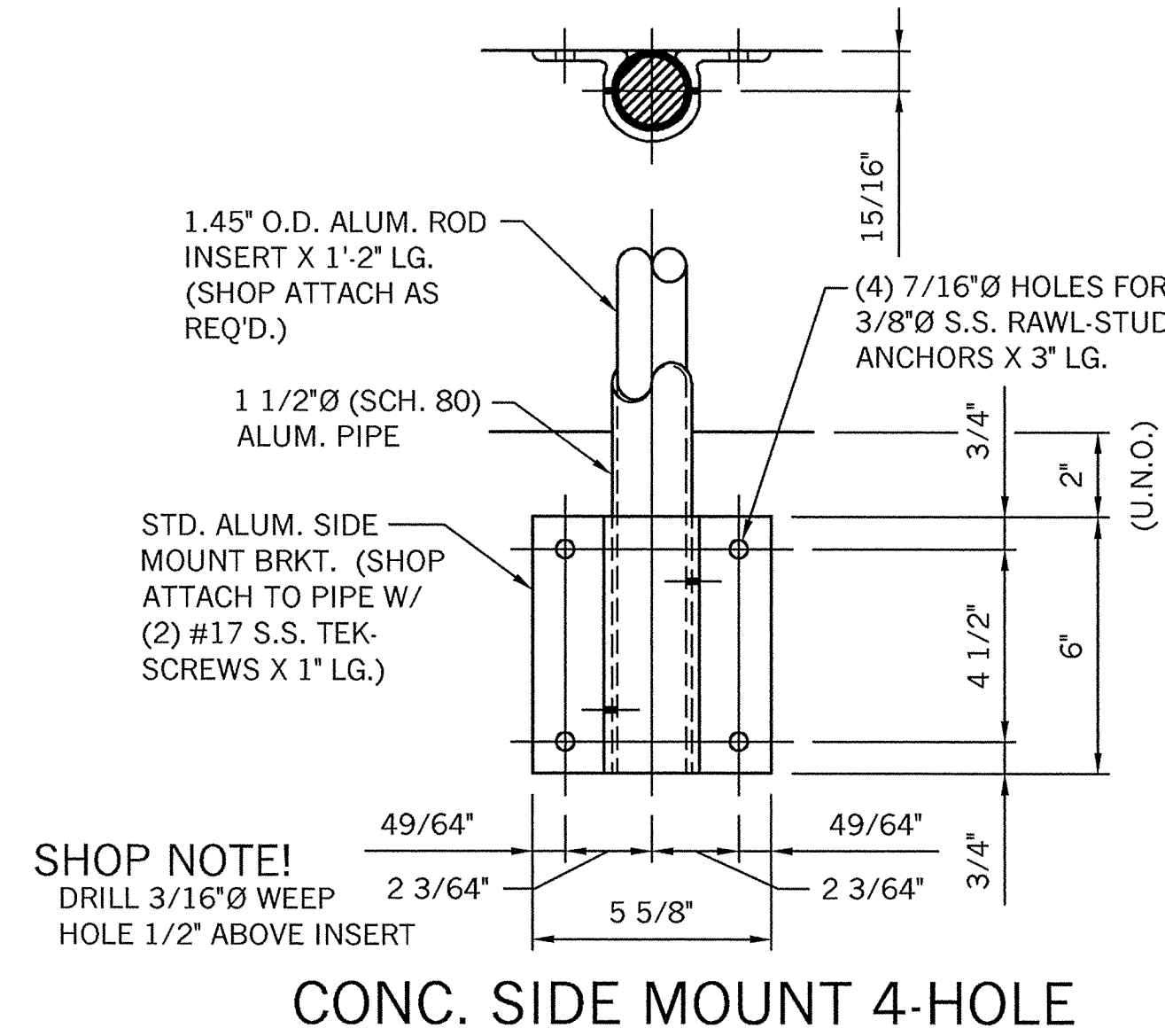


THESE DRAWINGS ARE THE PROPERTY OF TUTTLE ALUMINUM & BRONZE, INC. FISHERS INDIANA AND SHALL NOT BE REPRODUCED OR COPIED OR USED AS THE BASIS FOR THE MANUFACTURE OR SALE OF ITEMS SHOWN WITHOUT PERMISSION.
THIS DRAWING IS TABCO'S INTERPRETATION OF THE ENGINEERS/ARCHITECTS DESIGN INTENT. ANY CODE NONCOMPLIANCE IS THE RESPONSIBILITY OF THE ENGINEERS/ARCHITECTS.



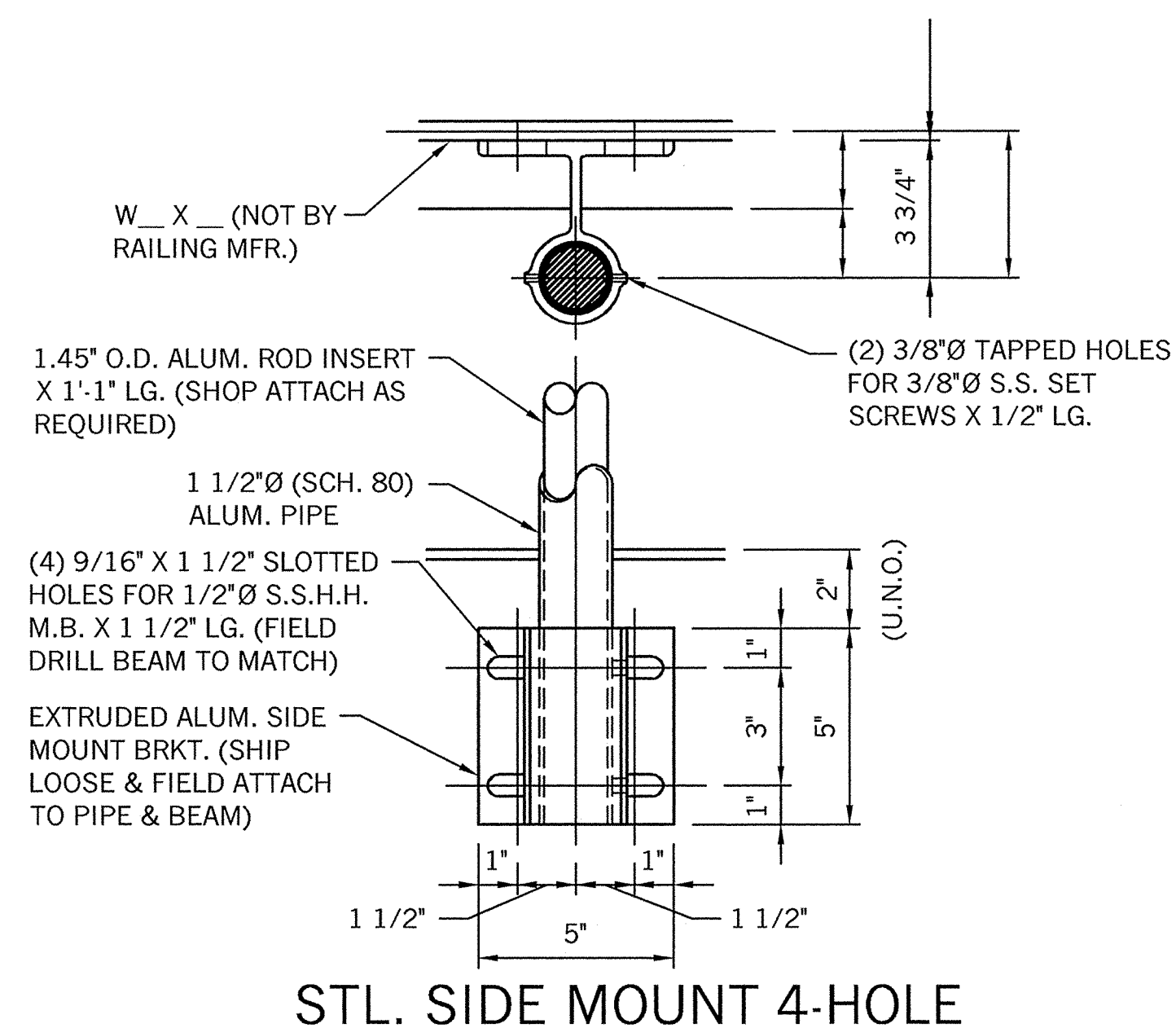
LEVEL CONC. CORNER POST

80-17C



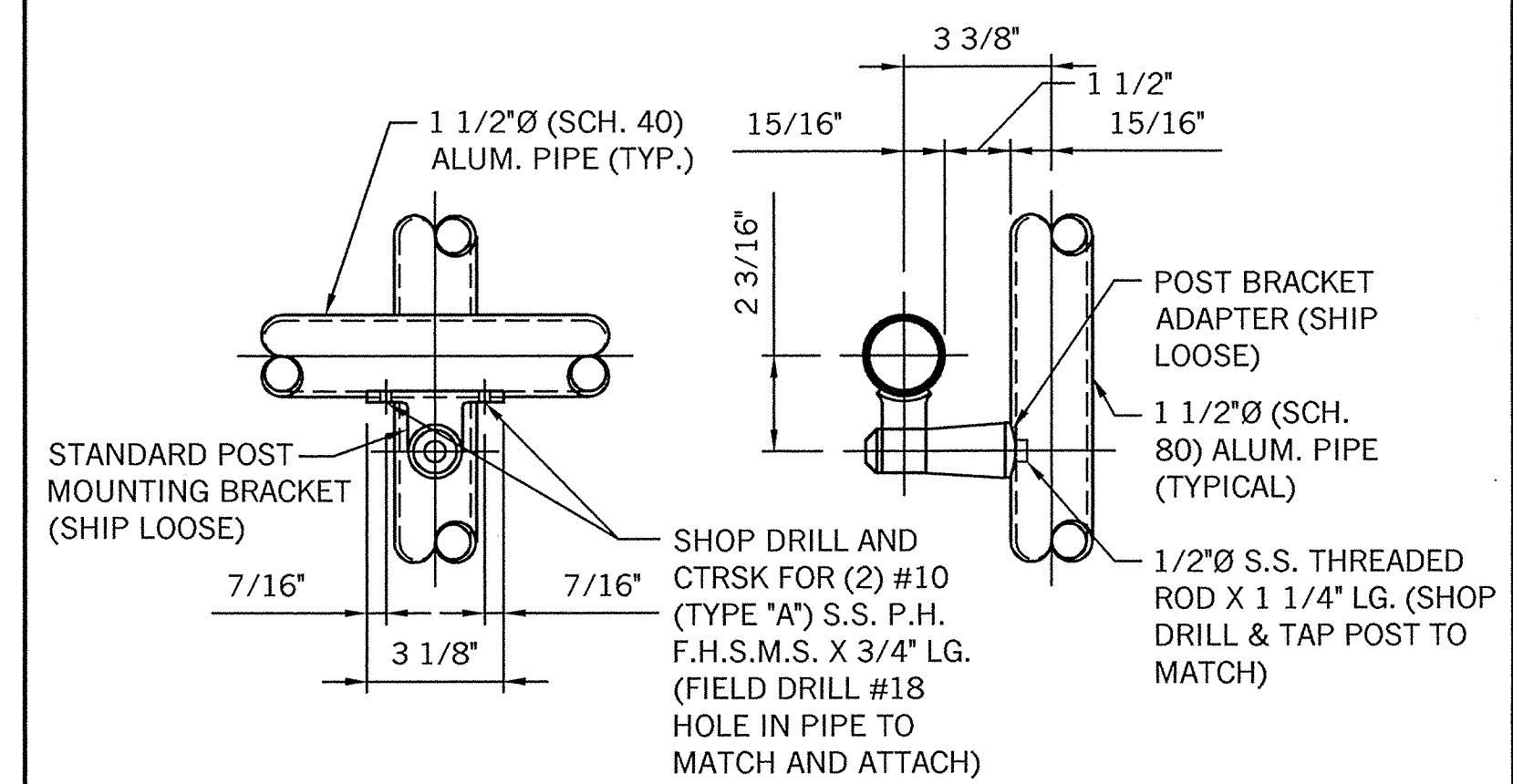
CONC. SIDE MOUNT 4-HOLE

80-18A



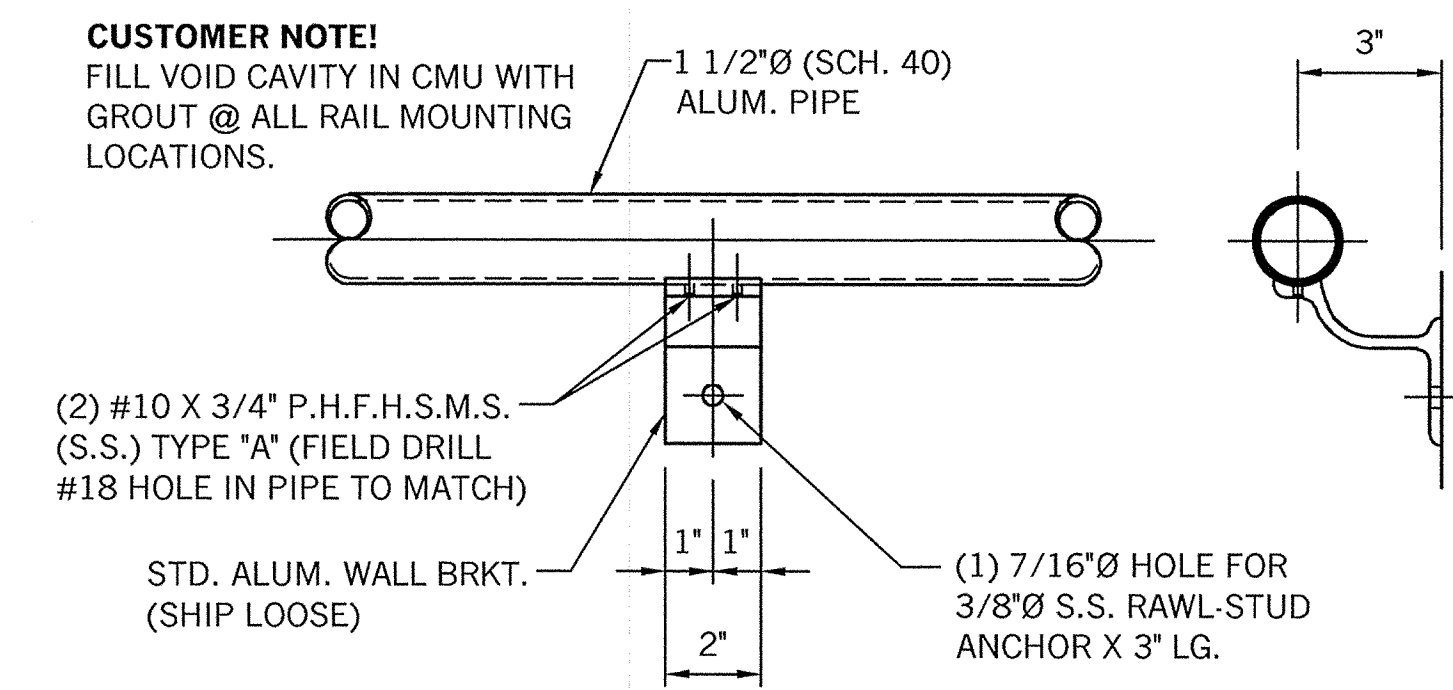
STL. SIDE MOUNT 4-HOLE

80-19M



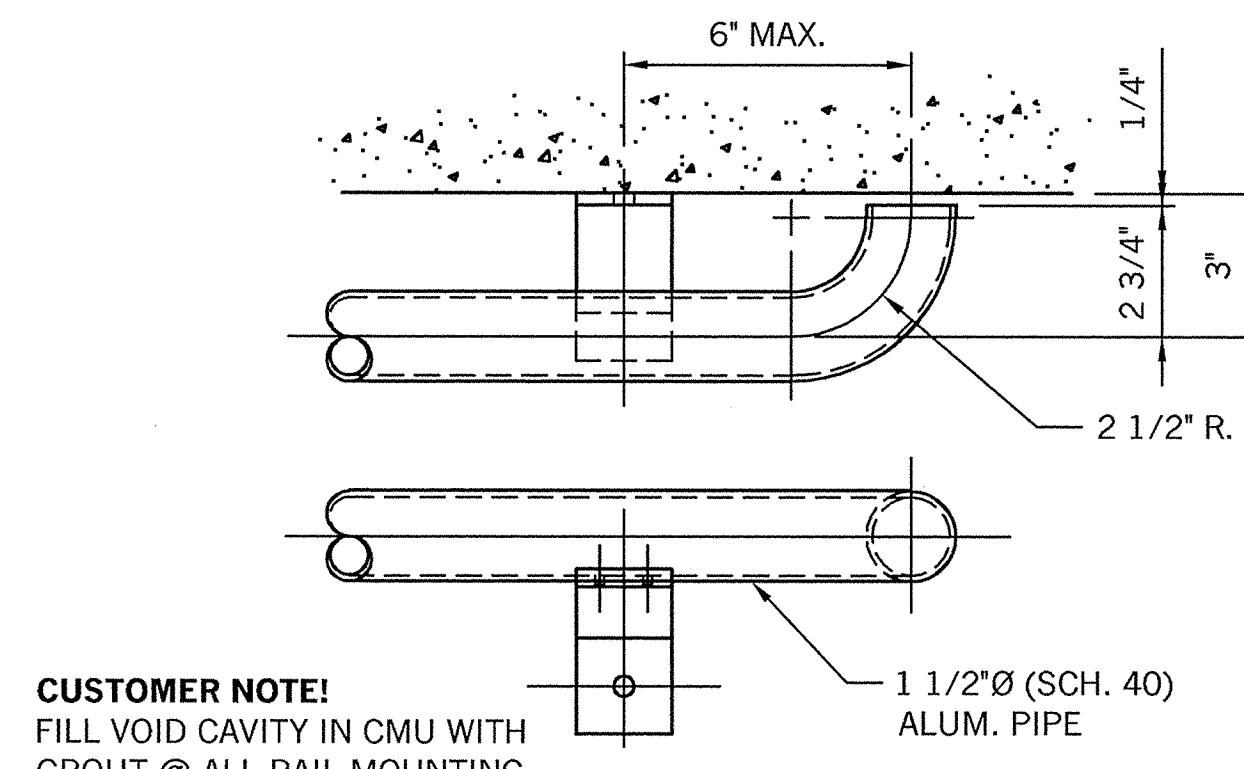
TYPICAL OFFSET RAIL CONNECTION

80-35B



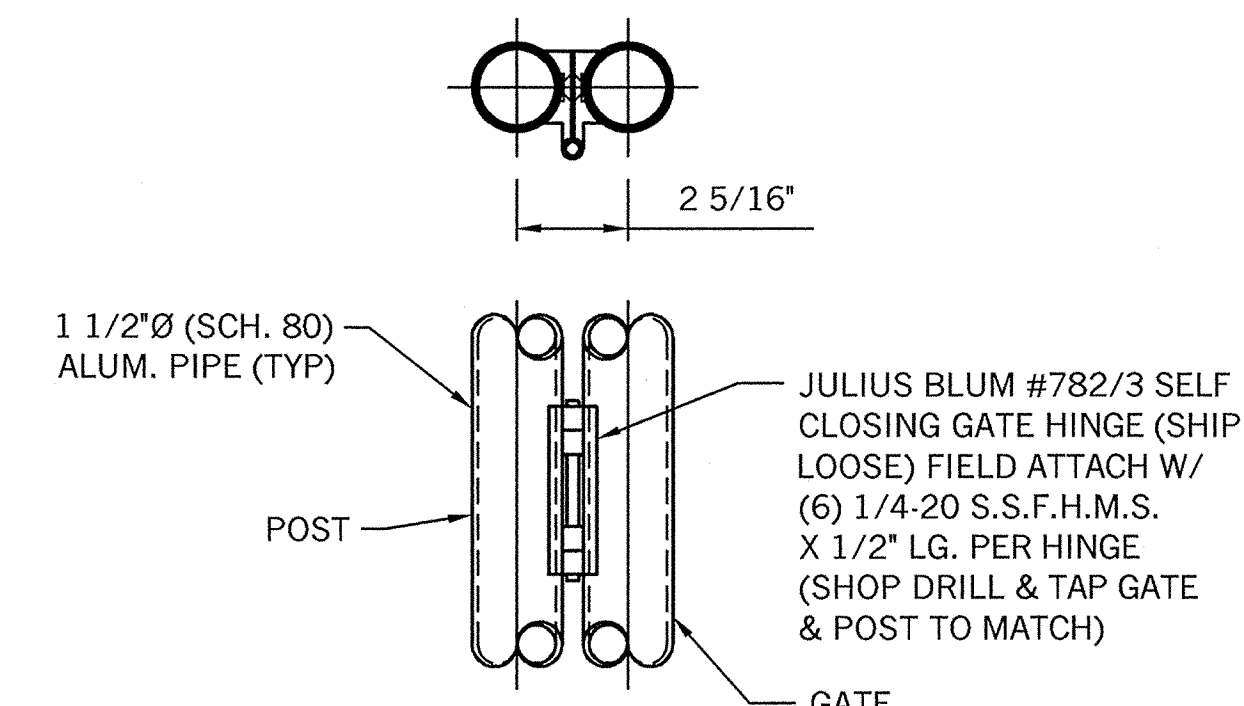
WALL BRACKET

80-35



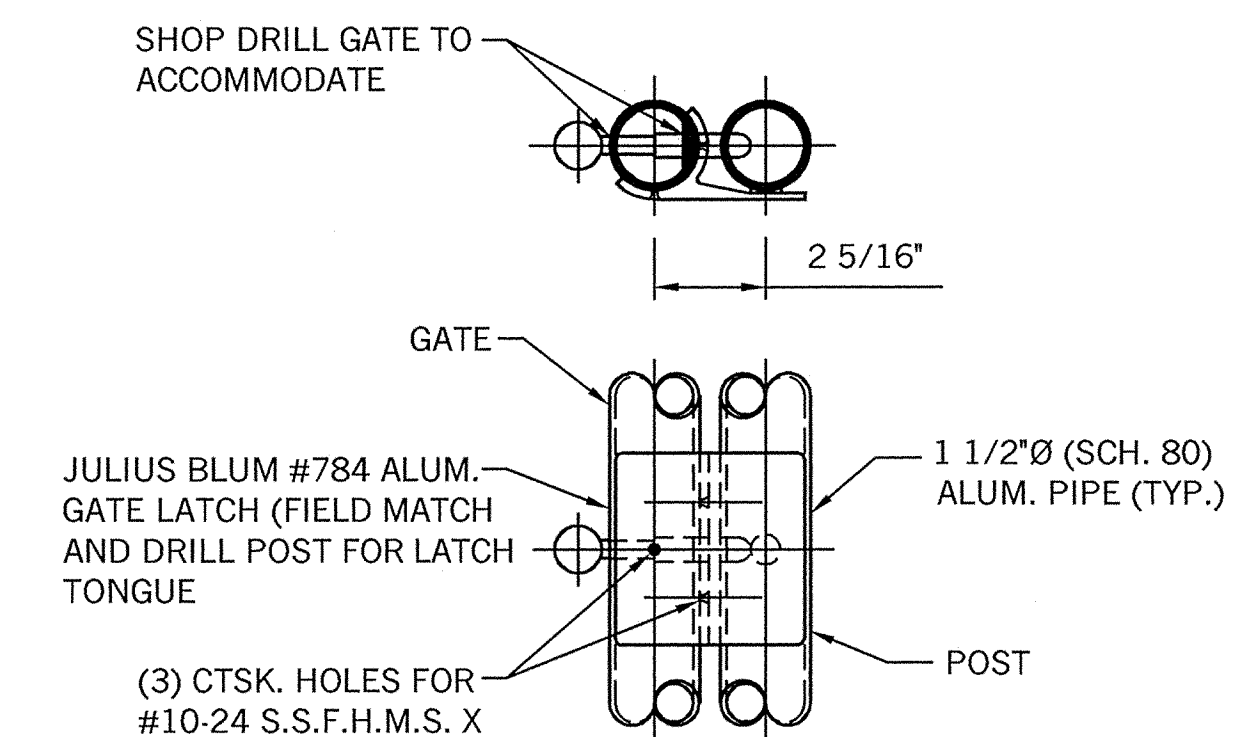
WALL RAIL END RETURN

80-36



HINGE

GA-6



LATCH

GA-7

DATE		TUTTLE ALUMINUM & BRONZE, INC.		120 SHADOW LAWN DRIVE		FISHERS, INDIANA 46038		PHONE (317) 842-2420		FAX (317) 845-1328	
BY		DESIGNER		CUSTOMER		CONTRACTOR		NO.		JOB NO.	
DETAILS		M32C22A41		SCALE		NOTED		1P		FYI	
FINISH		M32C22A41		DATE		4-02		NO.		DATE	
ERECTOR		OTHERS		DATE		4-26-02		NO.		DATE	
FIELD CHECKED BY		OTHERS		NO.		DATE		NO.		DATE	
SHOP ORDER NO.		L/F		NO.		DATE		NO.		DATE	
										DRAWING NO.	
										D-2	

REFER TO CONTRACT DWS.