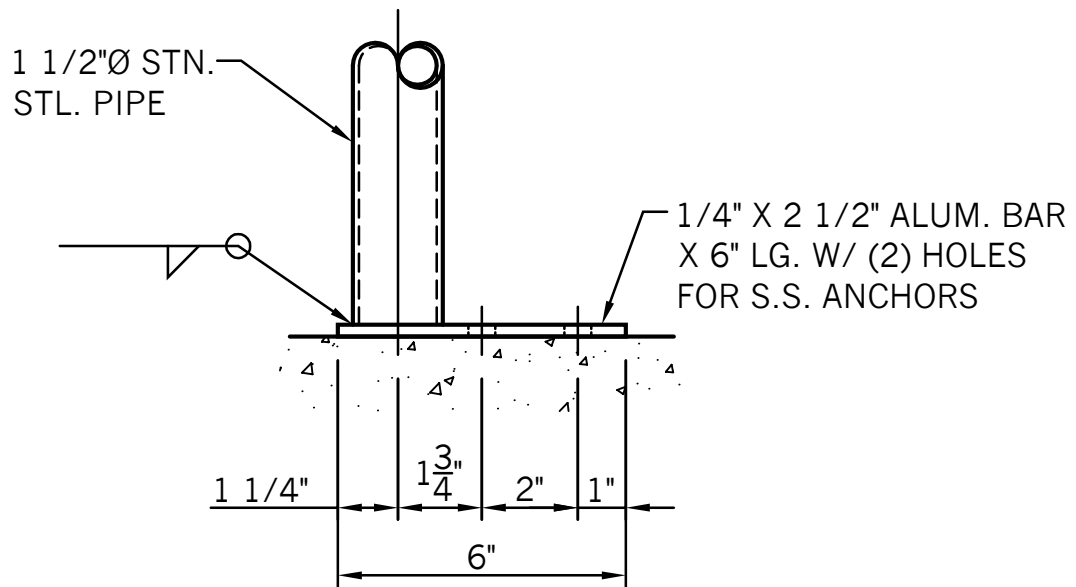
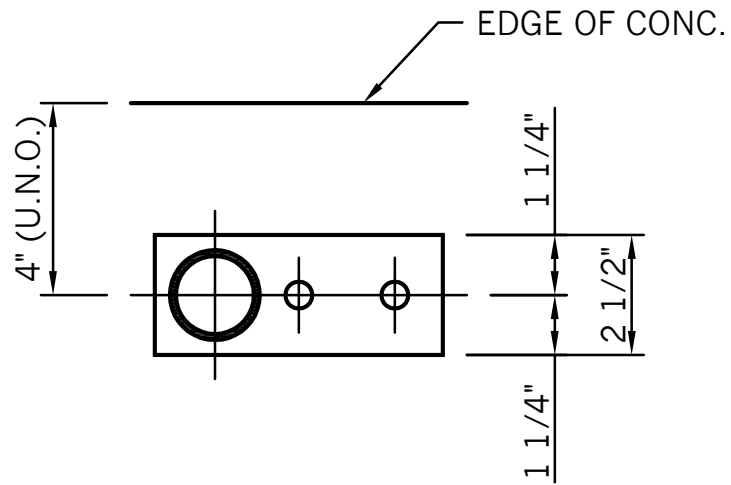


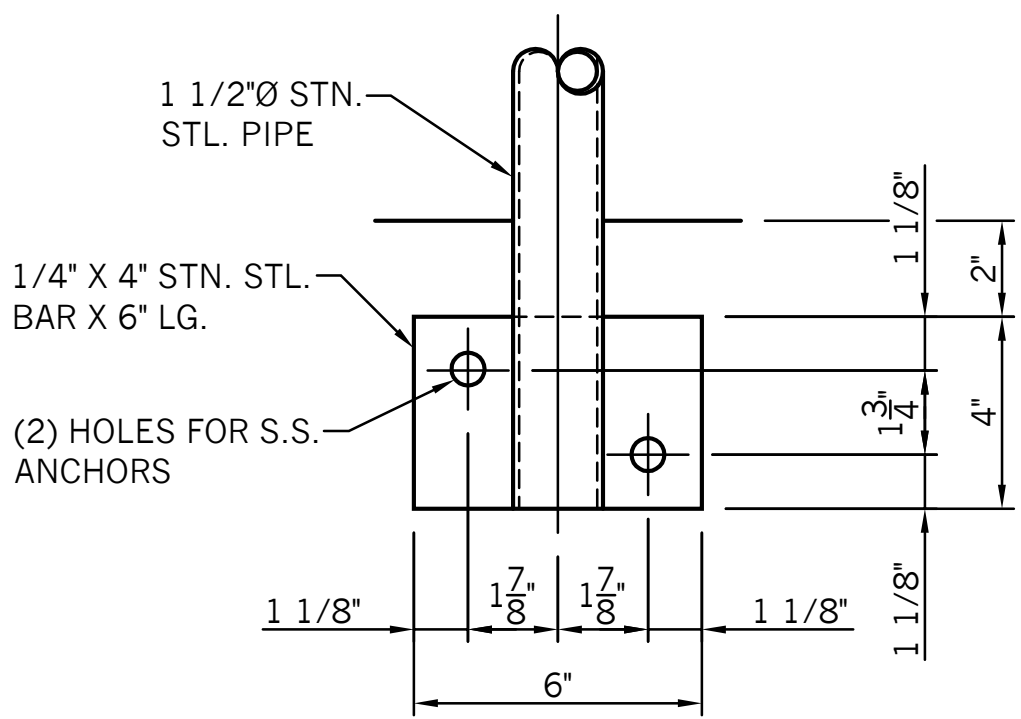
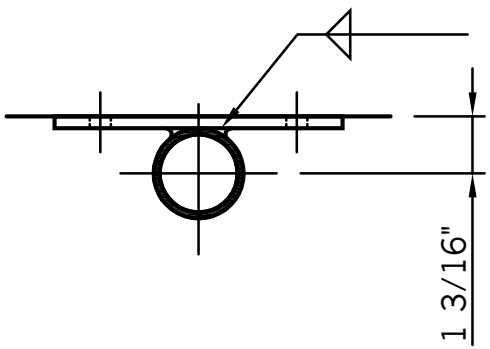
**CONC. LEVEL LINE POST**

---



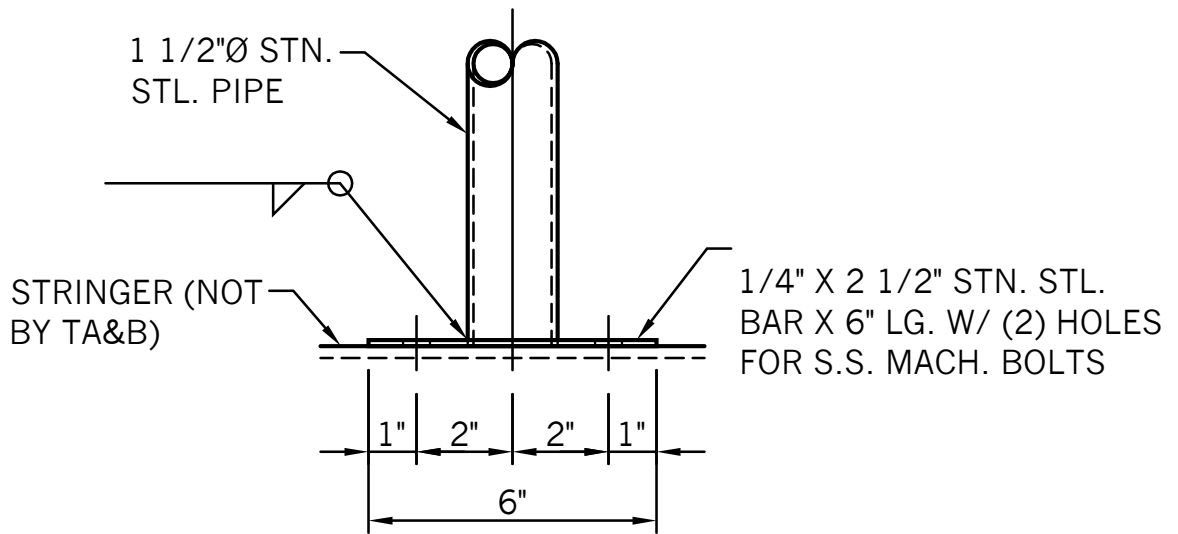
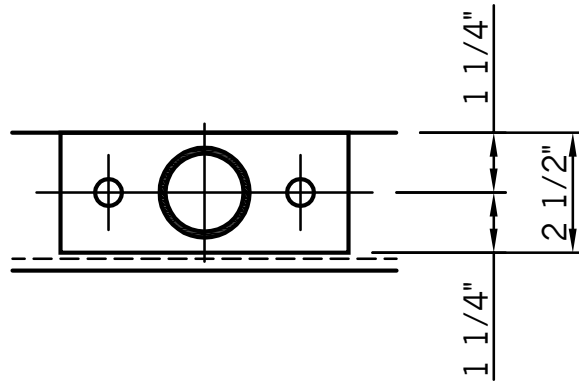
## CONC. LEVEL CORNER POST

NOT TO BE USED AT END POST CONDITIONS



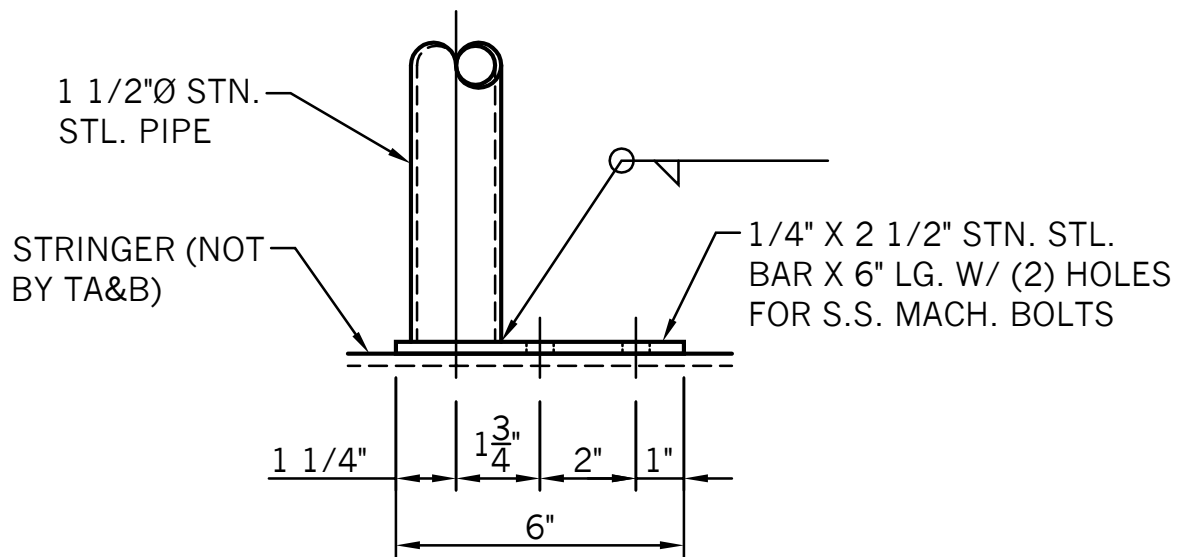
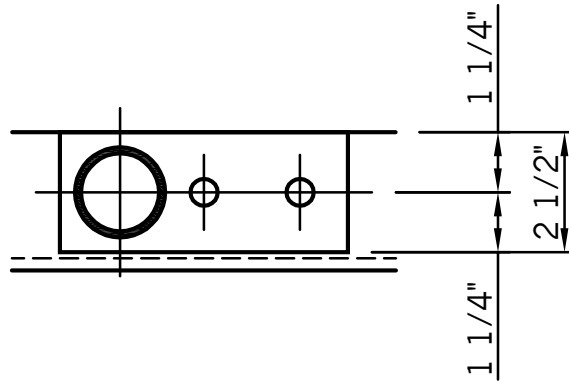
**CONC. SIDE MOUNT 2-HOLE**

---



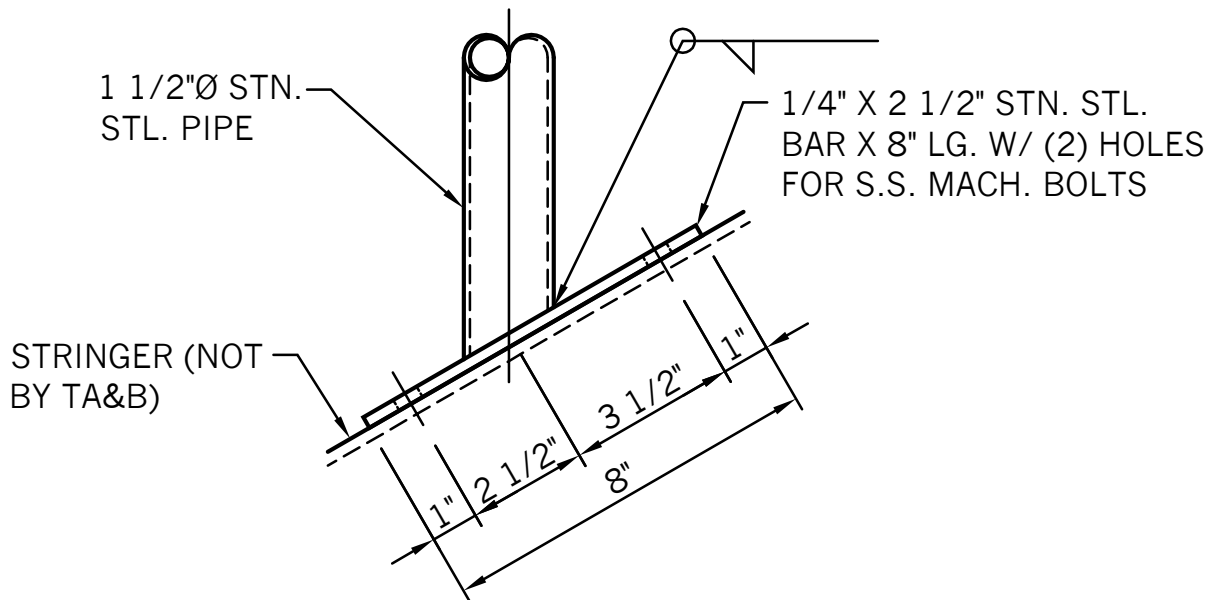
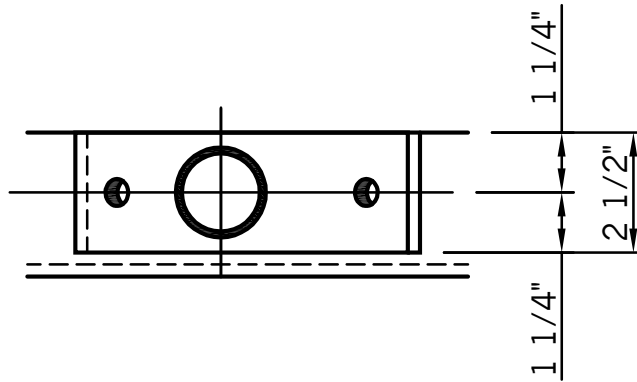
## METAL LEVEL STL. LINE POST

---



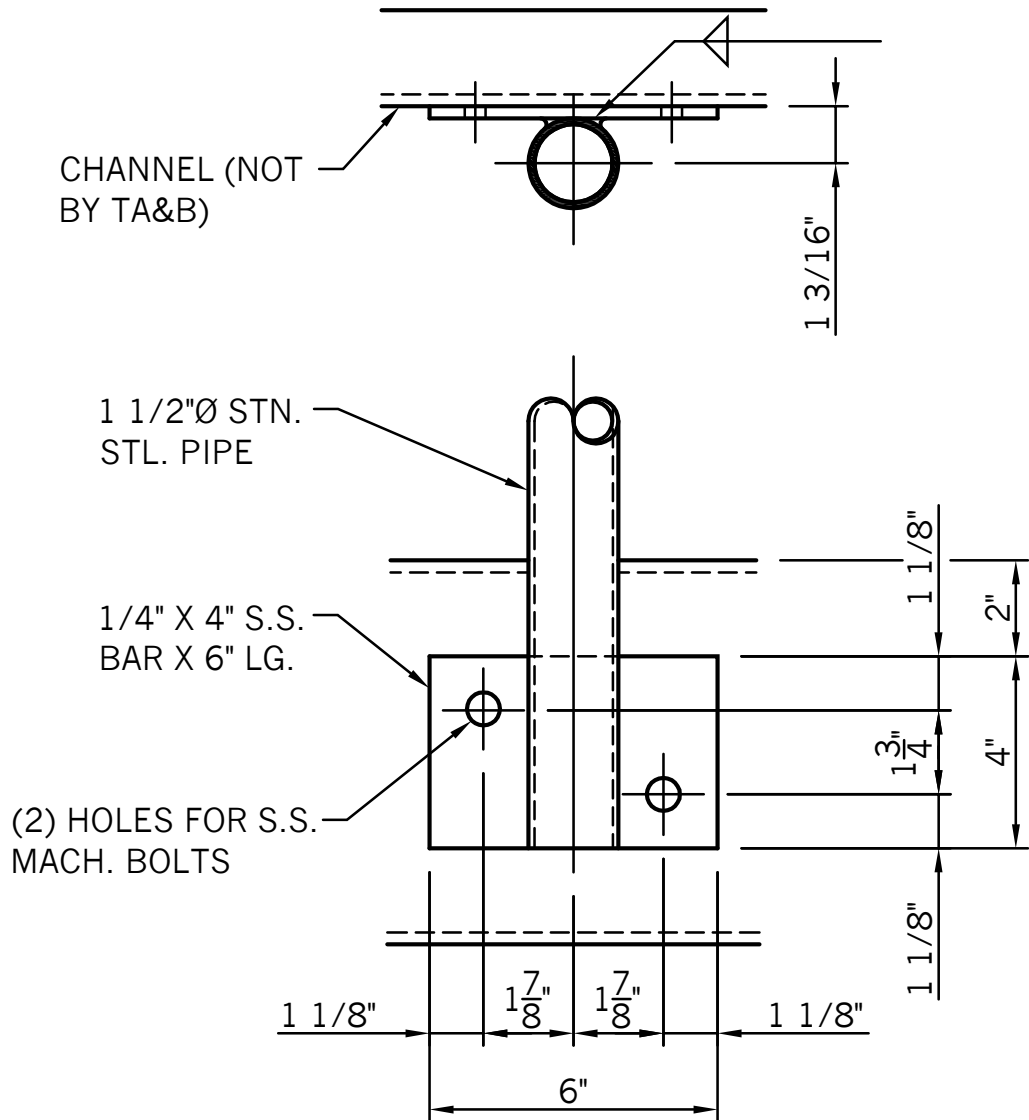
## METAL LEVEL CORNER POST

NOT TO BE USED AT END POST CONDITIONS



# METAL RAKE LINE POST

---



## METAL SIDE MOUNT 2-HOLE

---