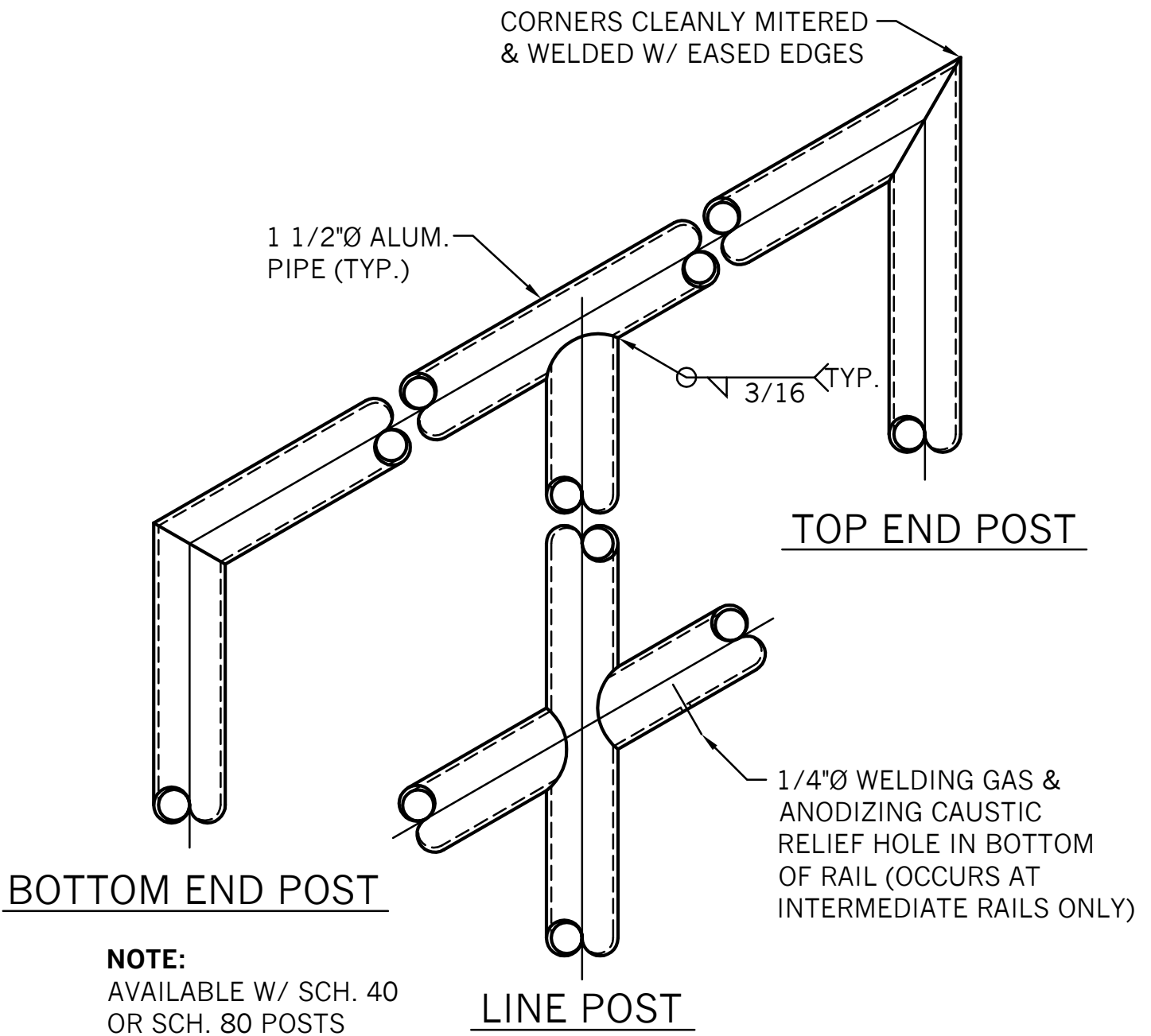


NOTE:

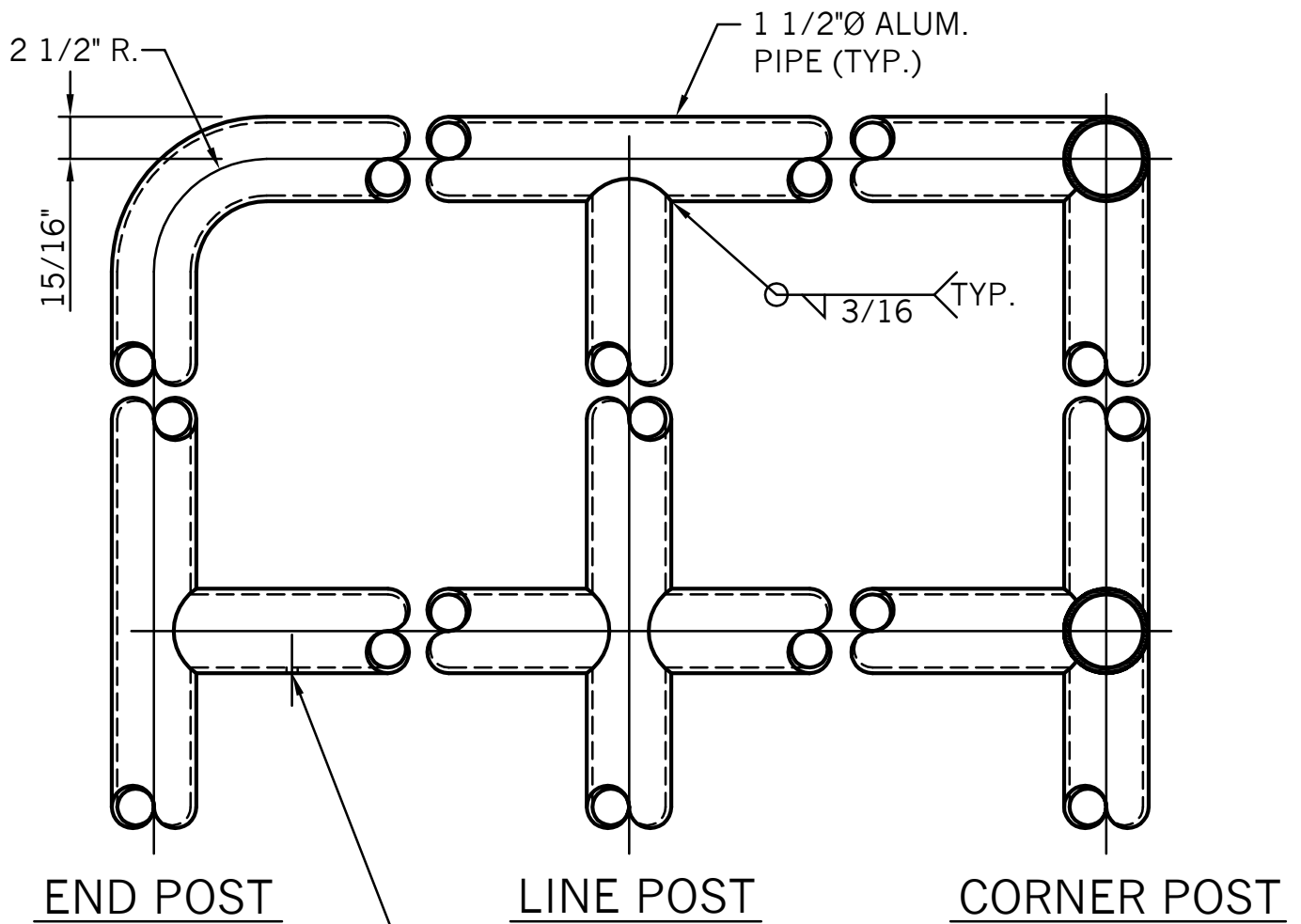
AVAILABLE W/ SCH. 40
OR SCH. 80 POSTS

1/4"Ø WELDING GAS & ANODIZING CAUSTIC
RELIEF HOLE IN BOTTOM OF RAIL (OCCURS
AT INTERMEDIATE RAILS ONLY)

MITERED LEVEL RAIL CONNECTIONS



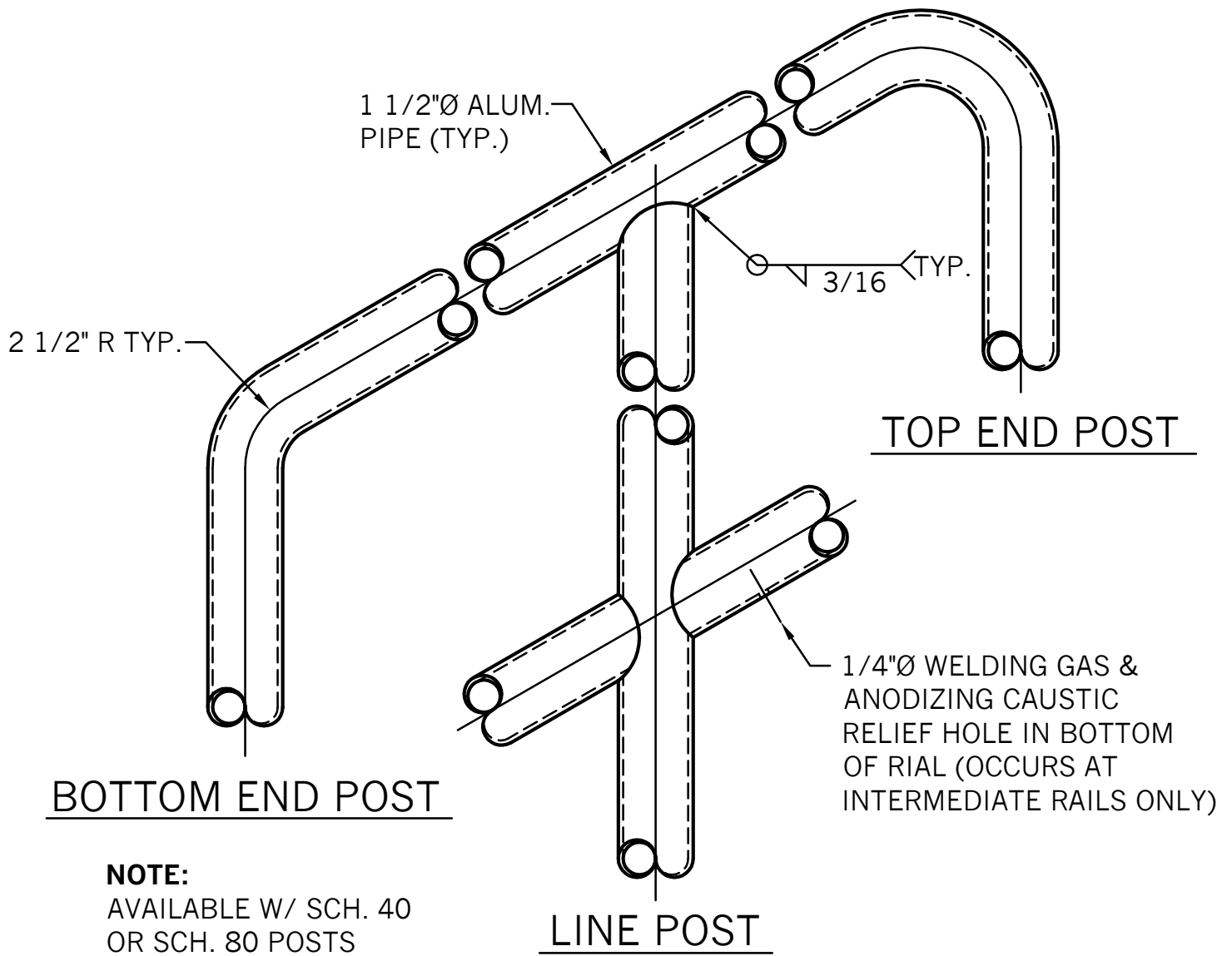
MITERED RAKE RAIL CONNECTIONS



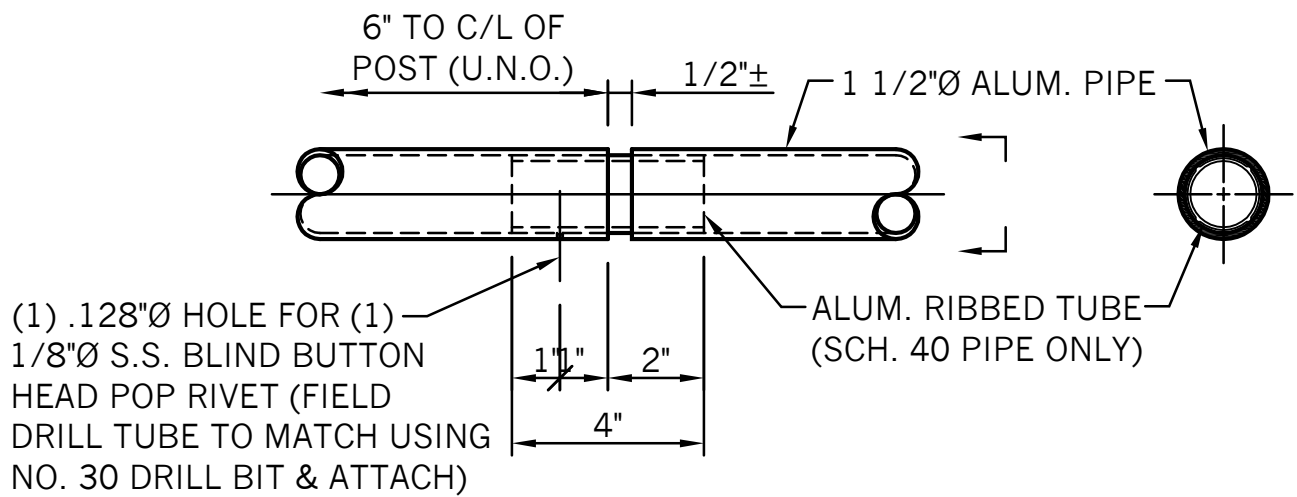
NOTE:
 AVAILABLE W/ SCH. 40
 OR SCH. 80 POSTS

1/4"Ø WELDING GAS & ANODIZING CAUSTIC
 RELIEF HOLE IN BOTTOM OF RAIL (OCCURS AT
 INTERMEDIATE RAILS ONLY)

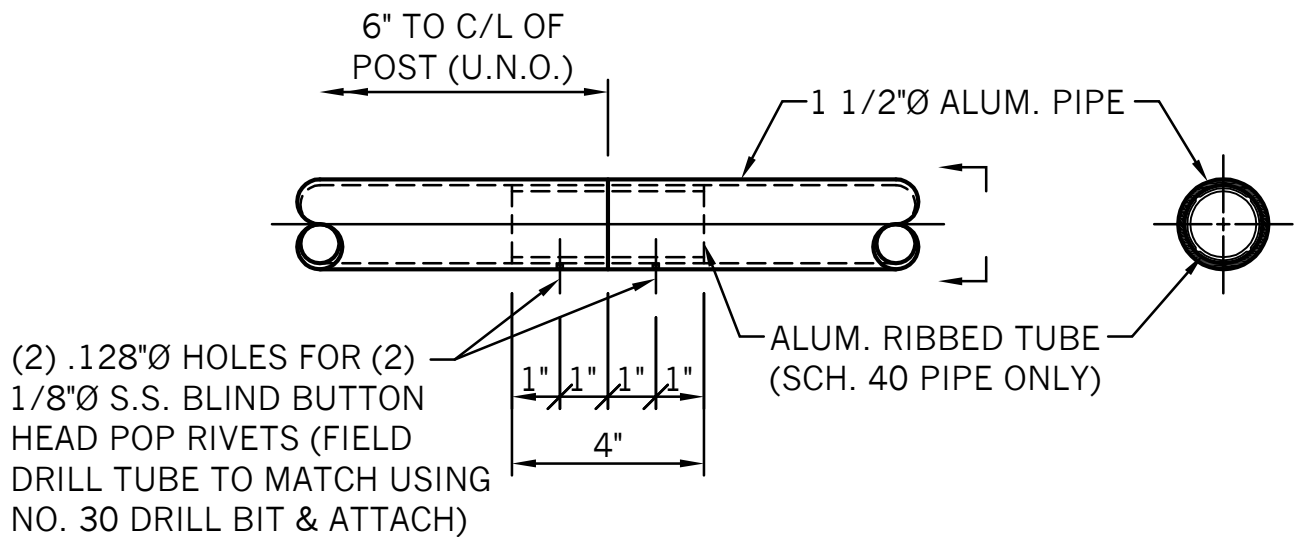
BENT LEVEL RAIL CONNECTIONS



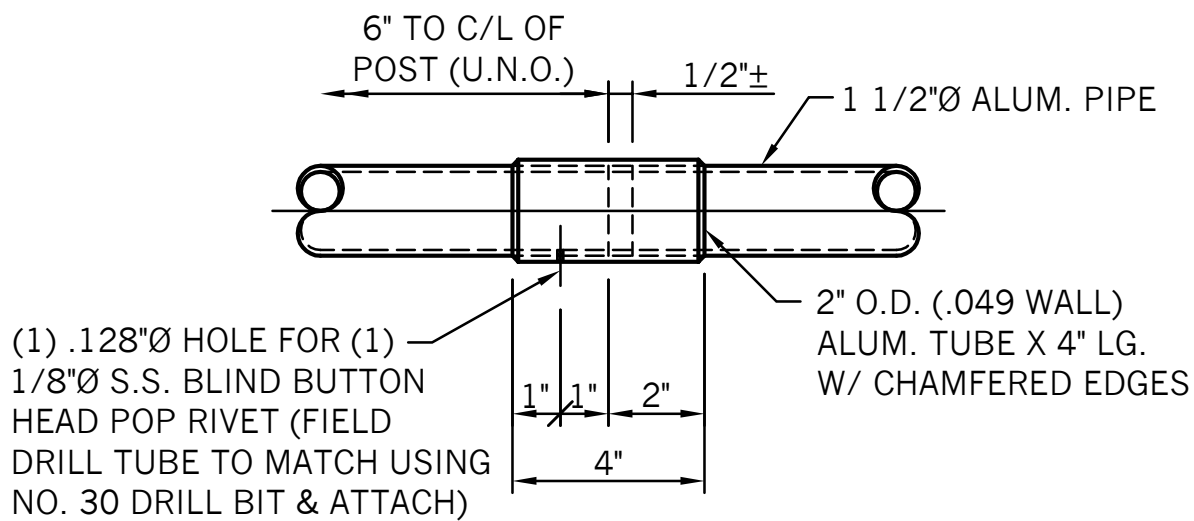
BENT RAKE RAIL CONNECTIONS



RIBBED TUBE EXPANSION JOINT



RIBBED TUBE FIELD JOINT



EXPANSION JOINT W/ COVER TUBE
