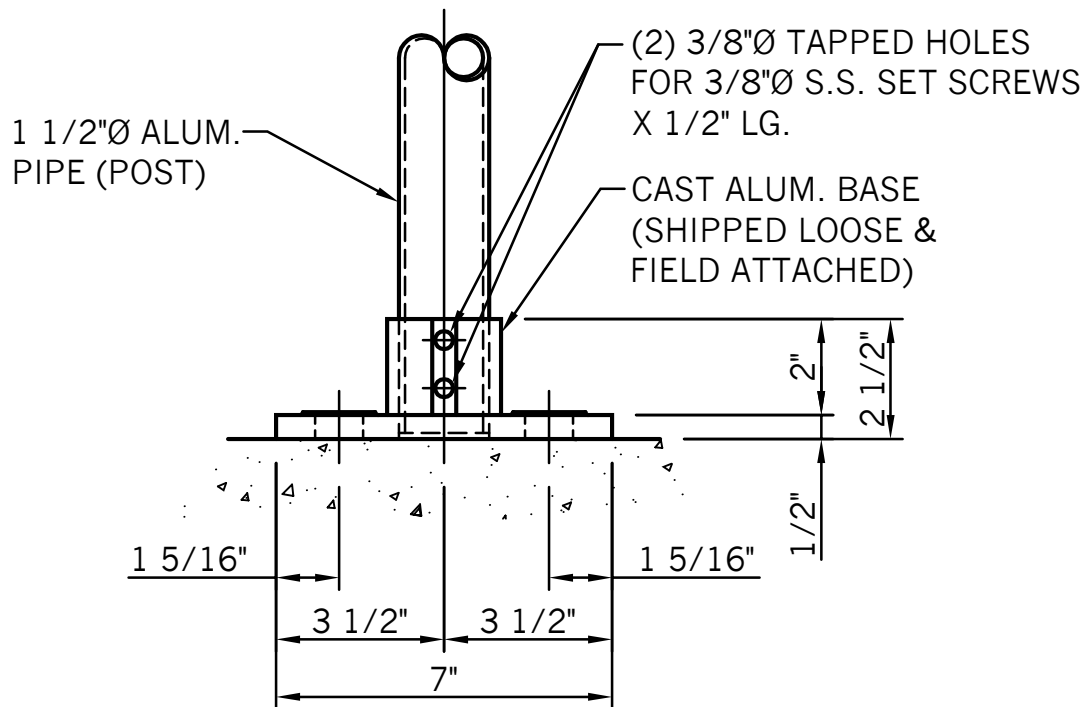
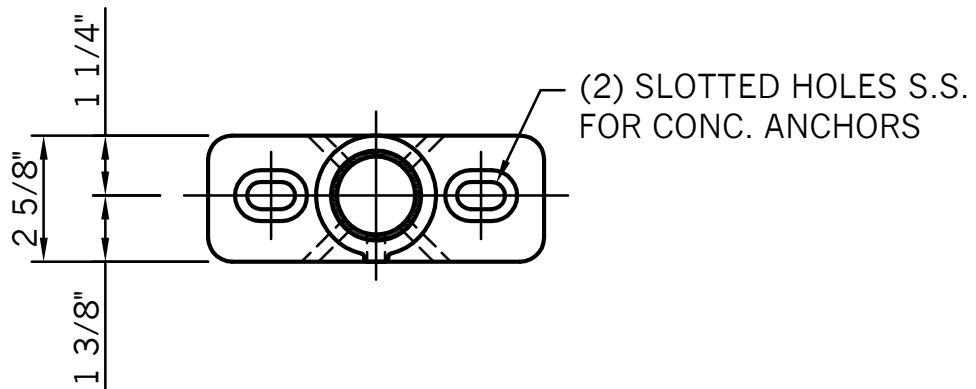
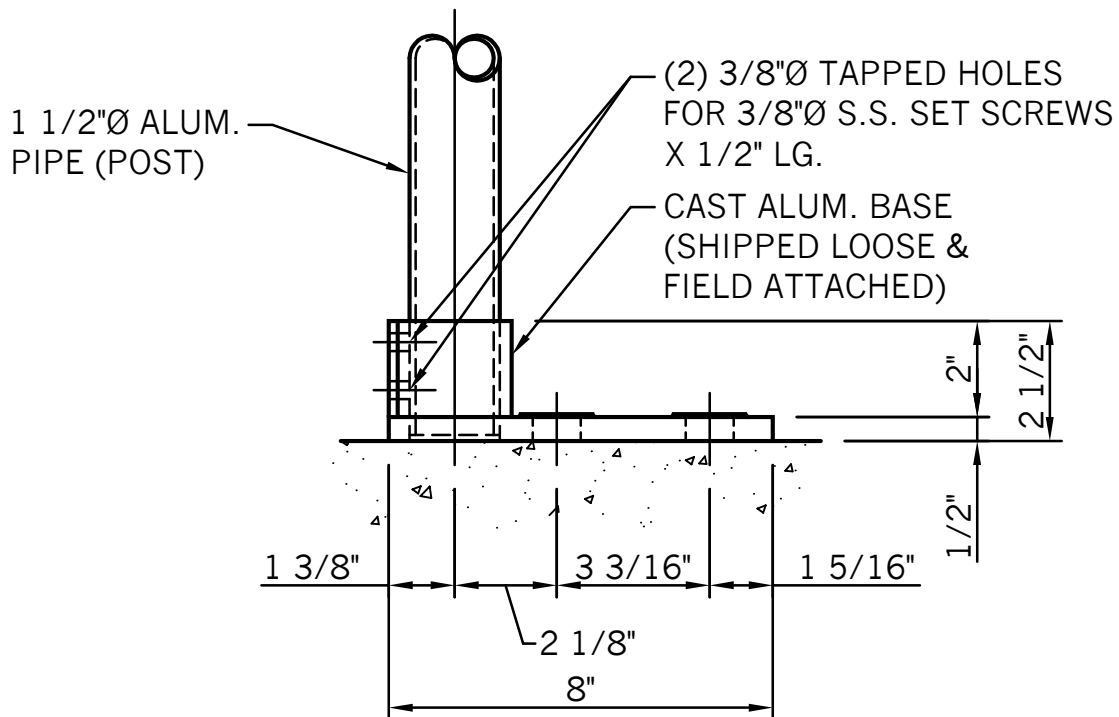
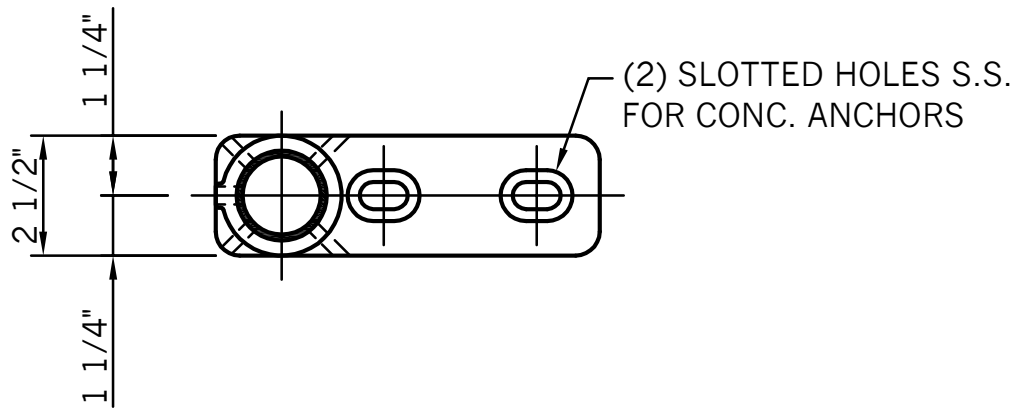


# CONC. LINE POST

---

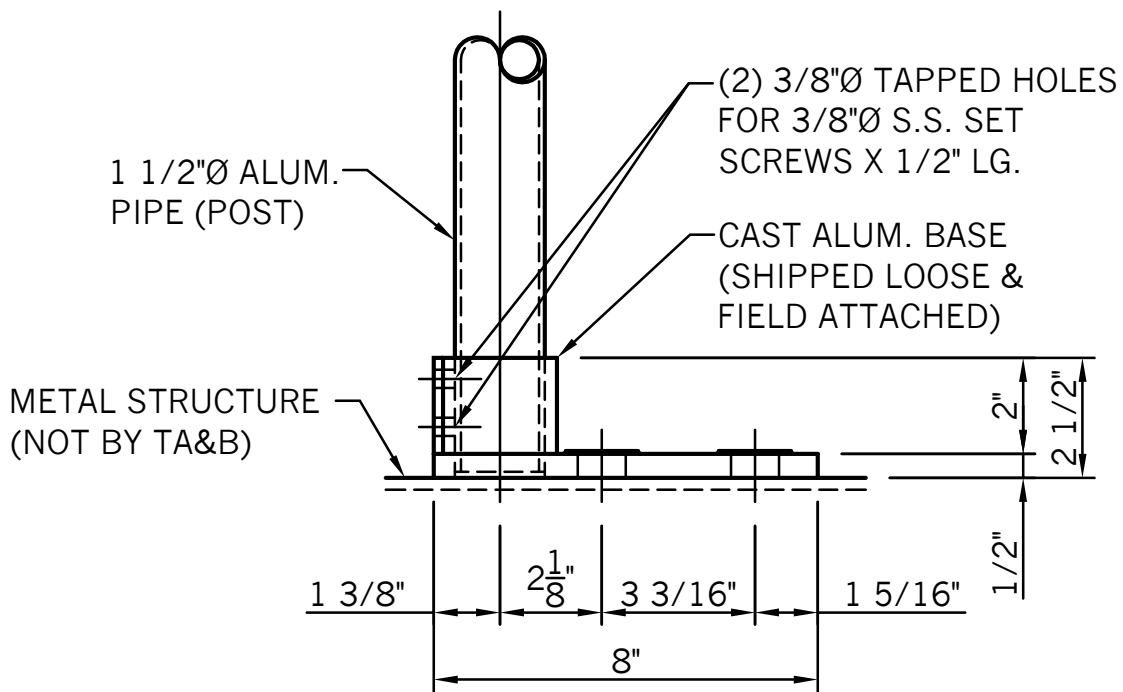
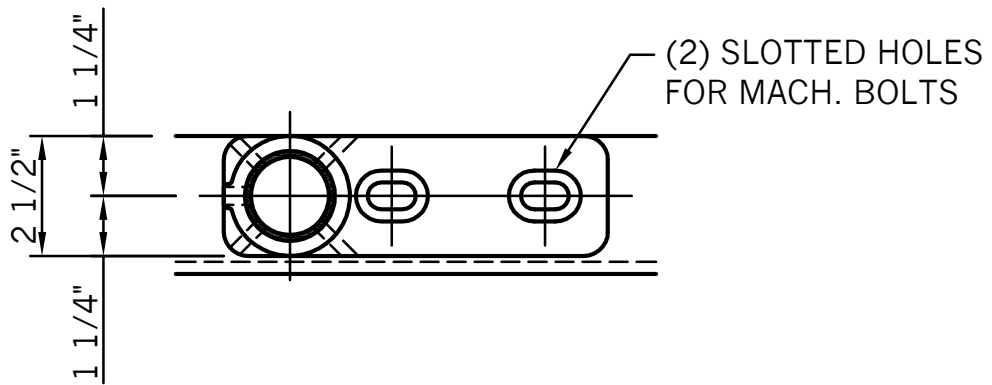


## CONC. LINE POST



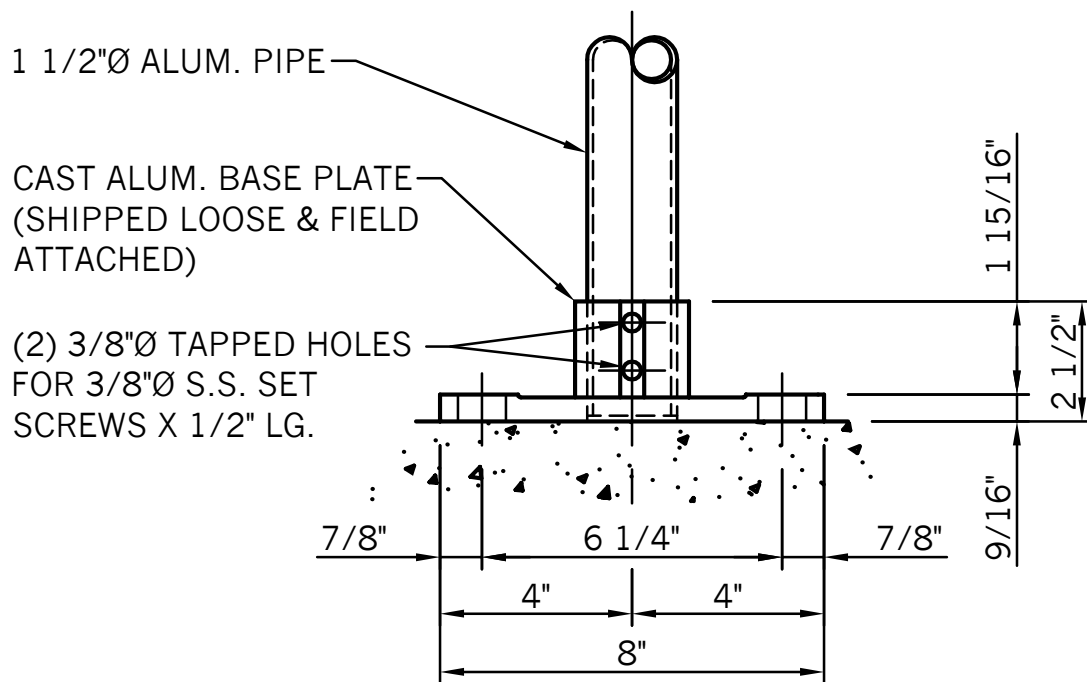
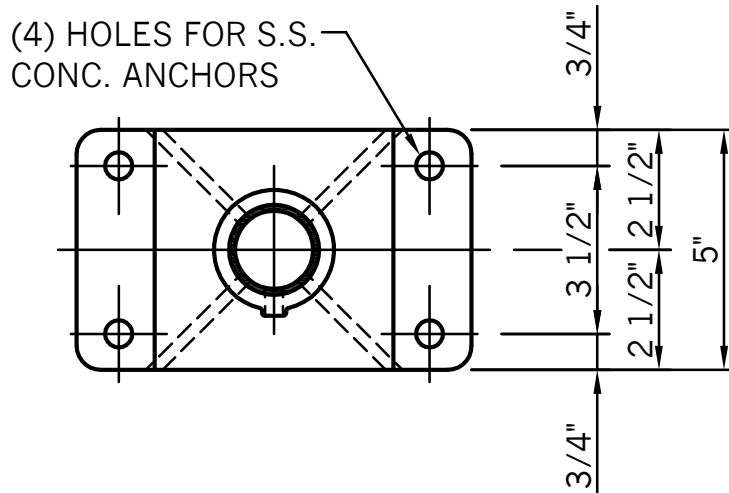
## CONC. CORNER POST

NOT TO BE USED AT END POST CONDITIONS



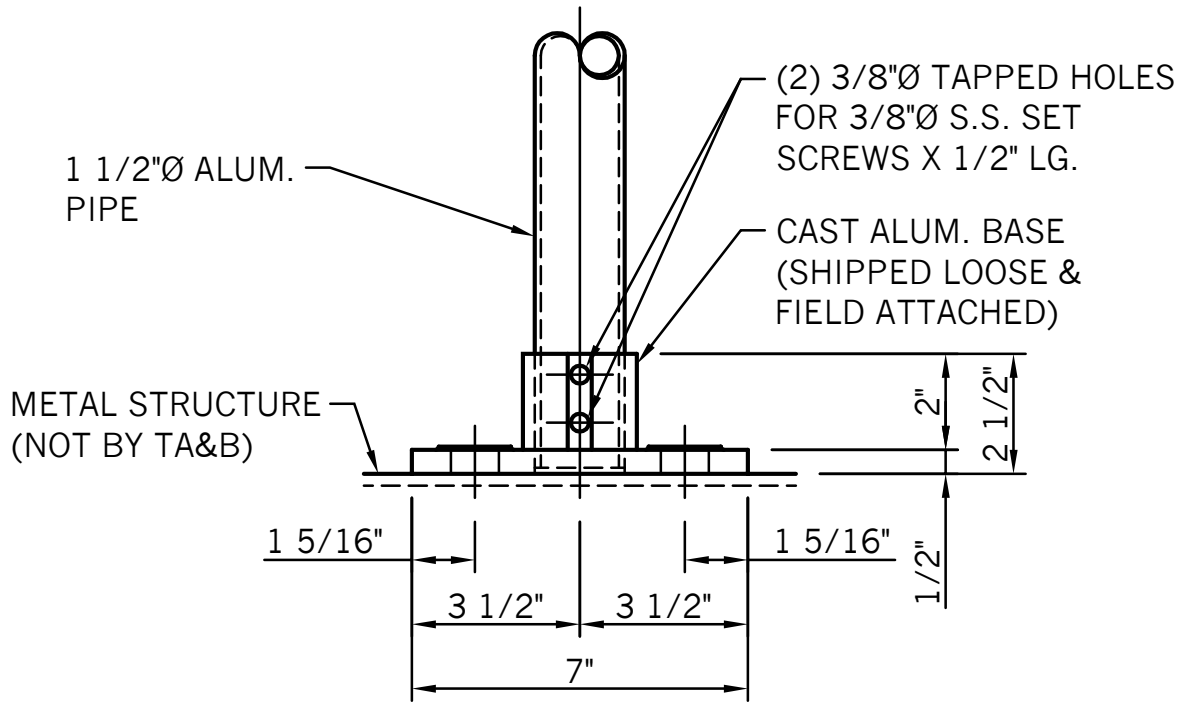
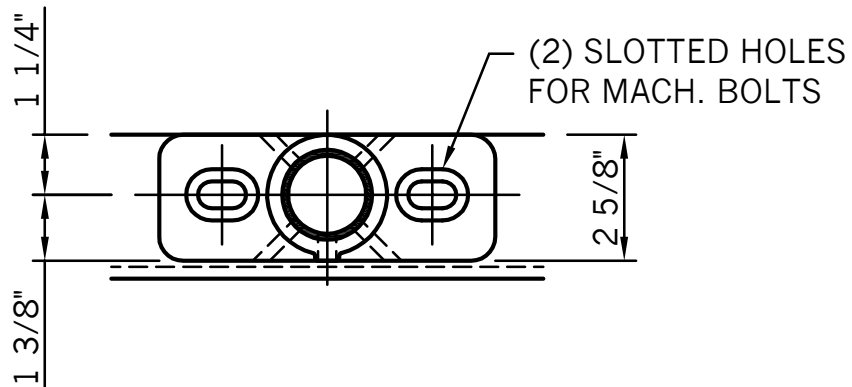
## METAL CORNER POST

NOT TO BE USED AT END POST CONDITIONS



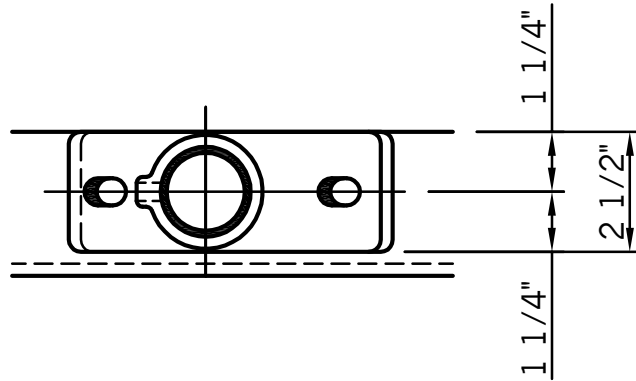
## LEVEL CONC. LINE POST 4-HOLE

---



## METAL LINE POST

---

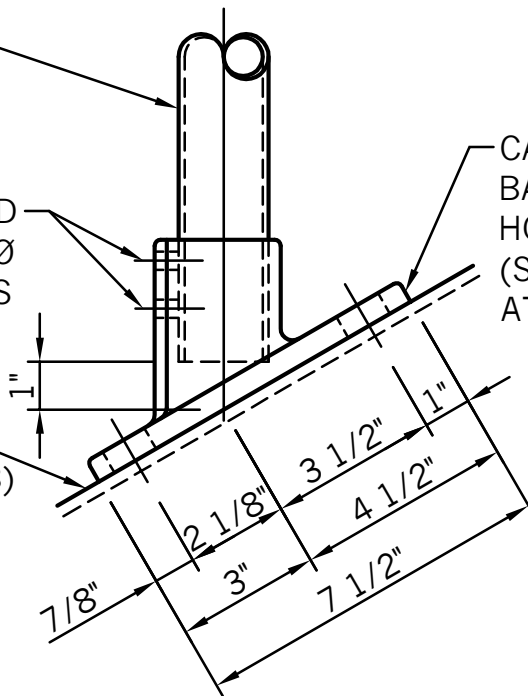


1 1/2"Ø ALUM.  
PIPE (POST)

(2) 3/8"Ø TAPPED  
HOLES FOR 3/8"Ø  
S.S. SET SCREWS  
X 1/2" LG.

STRINGER  
(NOT BY TA&B)

CAST ALUM. BEVELED  
BASE W/ (2) SLOTTED  
HOLES FOR MACH. BOLTS  
(SHIPPED LOOSE & FIELD  
ATTACHED TO PIPE)



**NOTE!**  
DEGREE VARIES  
FROM 26° TO 40°

## METAL RAKE LINE POST

---